



Z5795

Zurn Waterless Urinal

TAG _____



Z5795 Series

- Vitreous china
- 2" I.P.S. outlet flange and rubber gasket with integral trap
- 14" extended rim for handicap compliance when installed at proper height
- Telescoping flanged drain line connection
- Shipping Weight: 66 lbs.

Z5795 Series

Engineering Specification:

- Zurn Z5795 Waterless Urinal.** Wall hung vitreous china urinal with integral trap and drain line connection. No special tools required to maintain the trap seal. Zurn green sealant maintains a sanitary, environmentally friendly and odor free installation. Furnished complete with two wall hanger brackets, fasteners, telescoping flange drain line connection, premeasured green sealant bottles, and drain line gasket.

Zurn Green Sealant Refill Options:

- ZGS-04OZ**
4 oz. bottle of green sealant.
- ZGS-32OZ**
1 quart bottle of green sealant.
- ZGS-120OZ**
1 gallon bottle of green sealant.

This space is for Architectural/engineering Approval



These dimensions and specifications are subject to change without notice.

Fixture meets: ANSI/ASME A112.19.19-2006
ANSI Z124.9
IGC 161-2004
CSA TIL MSE-43

Meets the American Disabilities Guidelines and ANSI A117.1 requirements when urinal is installed 432mm (17") from finished floor.



Zurn Plumbing Products Group Commercial Brass and Fixtures Operation
2640 South Work Street · Falconer, NY 14733 · Phone: 716-665-1132 · Fax: 716-665-1135 · www.zurn.com

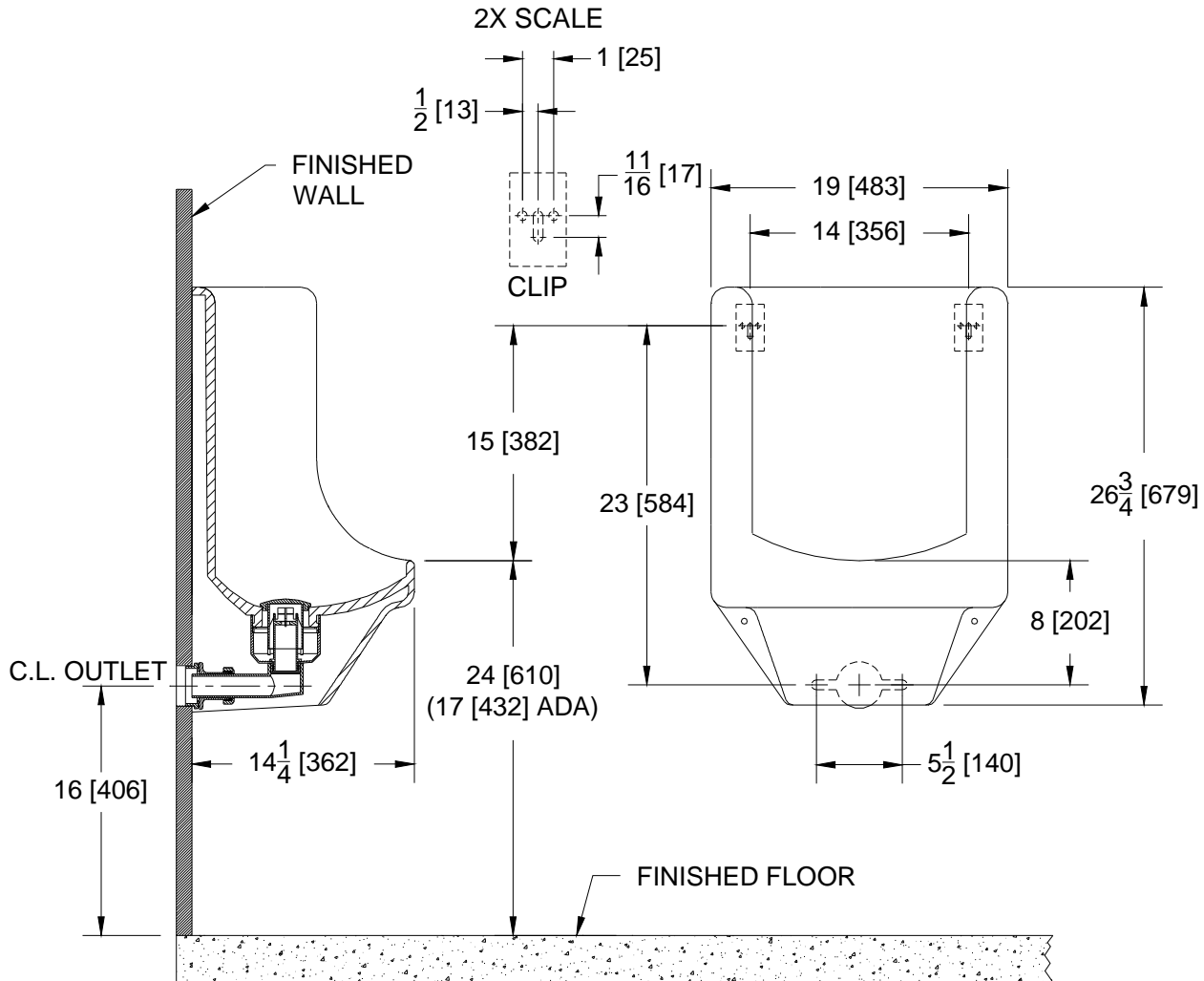


Z5795

Zurn Waterless Urinal Rough-in

TAG _____

Rough-in dimensions for Z5795



These dimensions and specifications are subject to change without notice.

Fixture meets: ANSI/ASME A112.19.19-2006
ANSI Z124.9
IGC 161-2004
CSA TIL MSE-43

Meets the American Disabilities Guidelines and ANSI A117.1 requirements when urinal is installed 432mm (17") from finished floor.



Zurn Plumbing Products Group Commercial Brass and Fixtures Operation

2640 South Work Street · Falconer, NY 14733 · Phone: 716-665-1132 · Fax: 716-665-1135 · www.zurn.com