



**Features**

- Modular design allows it to be moved around corners and through doorways with ease.
- Durable high gloss finish.
- Convenient shelves provide generous storage space.
- Geometric back wall design adds visual interest.
- 60" (1524 mm) x 36" (914 mm) x 75-3/4" (1926 mm) complete unit finished dimensions.

**Material**

- Compression molded from our exclusive Vikrell® material.

**Installation**

- Four-piece modular design with pivot "snap together" installation.
- Caulk-free installation.

**Components**

Product includes:

- 72245100 36" Shower End Wall Set
- 72271100 60" Shower Base
- 72272100 60" Shower Back Wall



**Codes/Standards**



- CSA B45.5/IAPMO Z124
- ASTM E162
- ASTM E662
- Greenguard UL 2818 - Gold
- HUD, UM Bulletin 73

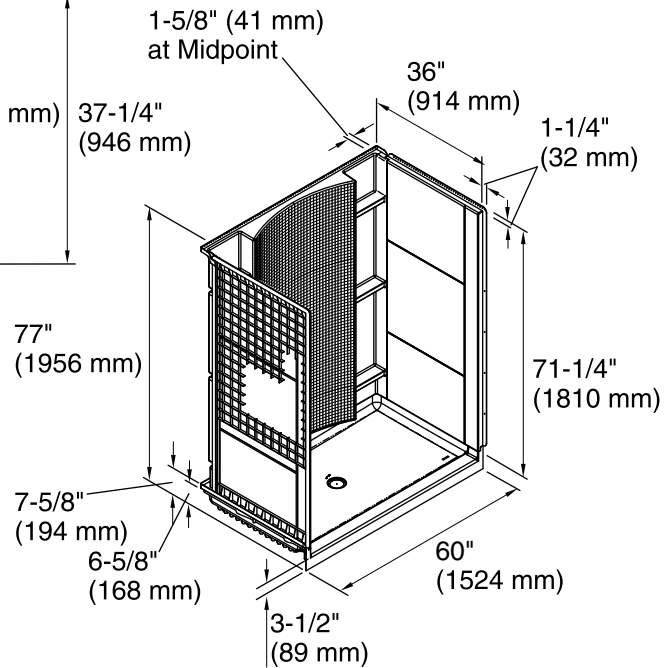
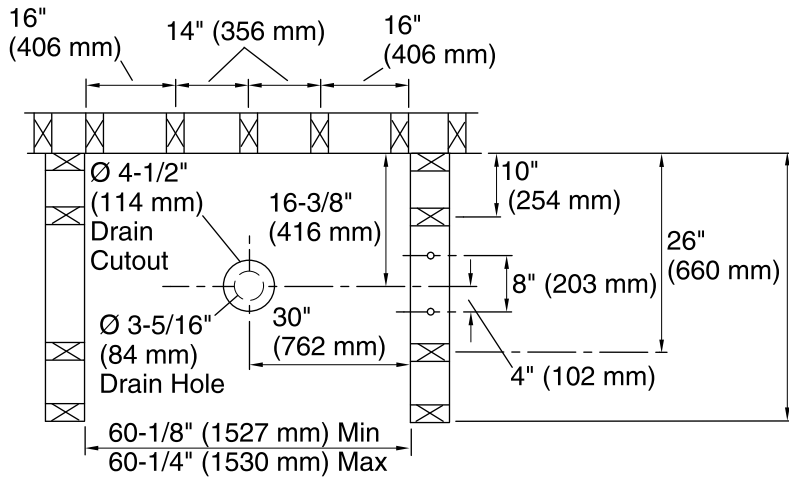
**Warranty – Bathing Fixtures (and) Kitchen and Utility Sinks Made of Solid Vikrell® Material**

See website for detailed warranty information.

**Available Color/Finishes**

*Color tiles intended for reference only.*

Color	Code	Description
	0	White
	96	KOHLER Biscuit



### Technical Information

All product dimensions are nominal.

Installation: 3-Wall Alcove

Drain location: Center

Minimum flat for door: 3-1/4" (83 mm)

Threshold height: 3-1/2" (89 mm)

Maximum door height: 72" (1829 mm)

Maximum door width: 56-5/8" (1438 mm)

### Notes

Install this product according to the installation instructions.

Studs should be positioned roughly as shown.

Double studding is recommended for pivot shower door installations.

Base cannot be installed without the wall surround.