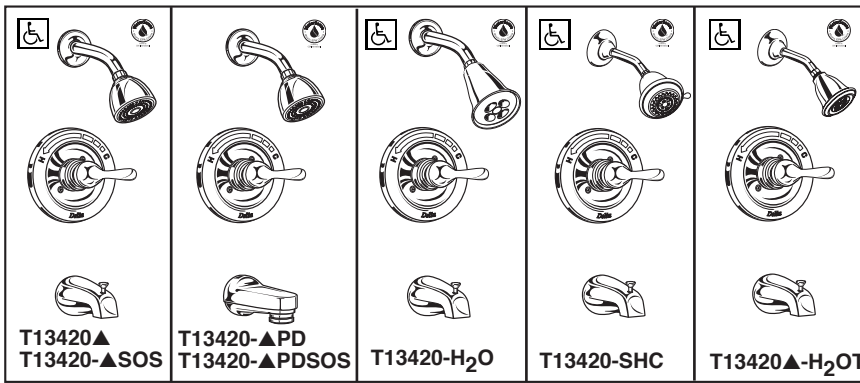




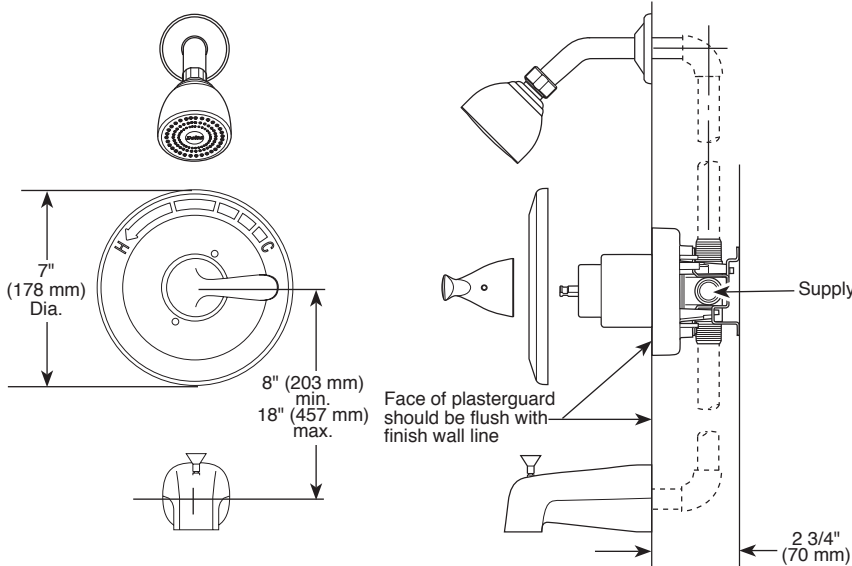
# TUB AND SHOWER FAUCET TRIM

## ■ Tub/Shower (T13420 Series)



Submitted Model No.: \_\_\_\_\_

Specific Features: \_\_\_\_\_



### STANDARD SPECIFICATIONS:

- Monitor® 13 Series pressure balanced bath mixing valve.
- Maintains a balanced pressure of hot and cold water even when a valve is turned on or off elsewhere in the system.
- For use with MultiChoice® Universal rough valve body. (R10000 Series)
- Back-to-back installation capability.
- Solid brass fabricated body.
- Temperature only controlled with metal lever handle.
- Field adjustable to limit handle rotation into hot water zone.
- 120° maximum handle rotation.
- All parts replaceable from the front of the valve.
- Models with "SOS" suffix supplied with slip-on spout for 1/2" C.W.T.
- Models with "PD" suffix supplied with 6" long pull-down diverter spout (RP17453).
- **Note:** Product will be marked with flow rate of specific showerhead.

### WARRANTY

- Lifetime Faucet and Finish Limited Warranty to the original consumer purchaser to be free from defects in material and workmanship.
- 5 Year Limited Warranty for usage in all industrial, commercial and business applications.

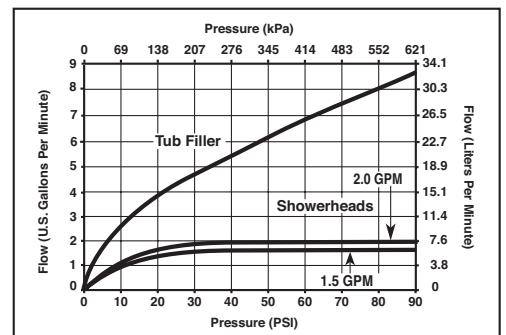


### COMPLIES WITH:

- ASME A112.18.1 / CSA B125.1
- ASSE 1016
- ♿ Indicates compliance to ICC/ANSI A117.1
- 💧 Indicates compliance to WaterSense

<p>RP5836 (Slip-On) RP17453▲ (Non-Metallic) RP17454▲ (Metallic)</p> <p>2 1/2" (64 mm) 5 1/4" (133 mm)</p>
<p>RP5834 RP19820▲ (Slip-On)</p> <p>2 1/2" (64 mm) 5" (127 mm)</p>
<p>RP19895</p> <p>2 1/2" (64 mm) 5" (127 mm)</p>
<p>RP48717</p> <p>2 3/4" (70 mm) 3 3/16" (81 mm)</p>
<p>RP54752▲ 1.5 GPM H<sub>2</sub>O Showerhead</p> <p>4 1/2" (114 mm) 3 7/8" (98 mm)</p>

<p>RP43381▲ Touch-Clean® Raincan Showerhead 2.0 GPM</p> <p>4 3/4" (121 mm) 4 7/8" (124 mm)</p> <p>Full Spray Massage Spray</p>
<p>RP38357 Touch-Clean® Showerhead 2.0 GPM</p> <p>2 3/4" (70 mm) 2 5/8" (66 mm)</p> <p>Full Spray</p>
<p>RP46384▲ 1.5 GPM H<sub>2</sub>O Showerhead</p> <p>4 3/4" (121 mm) 3 1/4" (83 mm)</p> <p>Full Spray</p>



▲ Designate Proper Finish Suffix  
Delta reserves the right (1) to make changes in specifications and materials, and (2) to change or discontinue models, both without notice or obligation. Dimensions are for reference only. See current full-line price book or [www.deltafaucet.com](http://www.deltafaucet.com) for finish options and product availability.  
DSP-B-T13420 Rev. F



55 E. 111th Street, Indianapolis, Indiana 46280  
350 South Edgeware Road, St. Thomas, ON N5P 4L1  
© 2013 Masco Corporation of Indiana