

DESCRIPTION

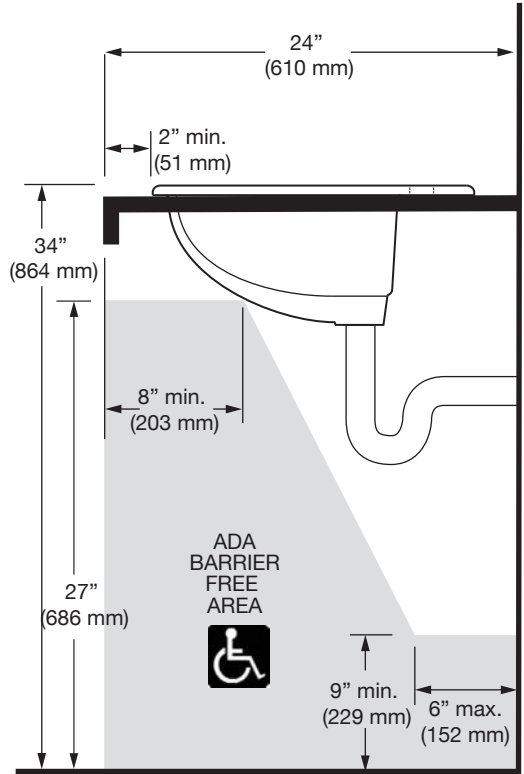
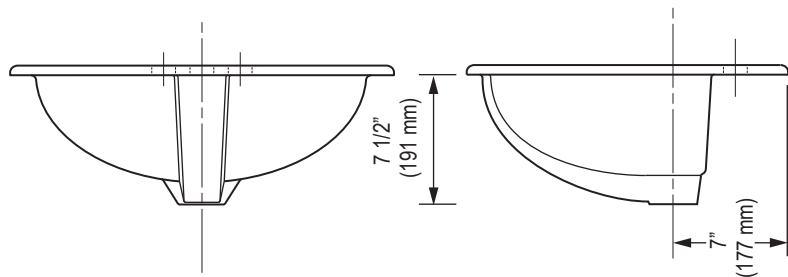
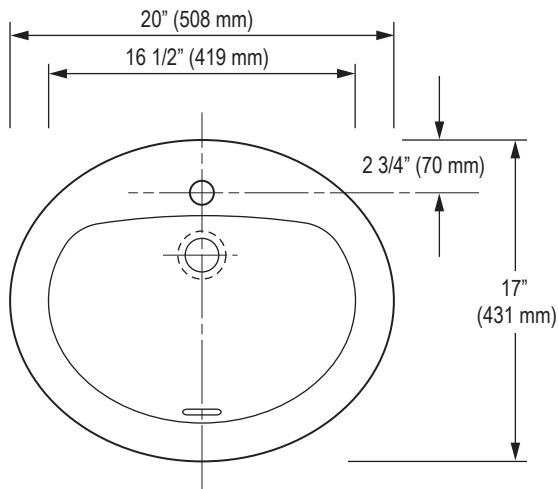
Complete vitreous china lavatory
Model SS-3102



SPECIFICATIONS

Lavatory

- White vitreous china
- Self-rimming
- 1 single hole center set
- Overflow
- ADA compliant when mounted with lavatory mounted at 34" from finished floor. See illustration for recommended ADA installation
- 20" (508 mm) x 17" (431 mm)



Product Specification

Sink shall be made of vitreous china with an overflow. Sink shall be drop-in mounted with one single hole drilled. Sink shall be Sloan Model SS-3102.

Important: Fixture dimensions are nominal and may vary slightly from drawings.

This space for Architect/Engineer approval	
Job Name _____	Date _____
Model Specified _____	Quantity _____
Variations Specified _____	
Customer/Wholesaler _____	
Contractor _____	
Architect _____	

The information contained in this document is subject to change without notice.



Sloan Valve Company is buying renewable energy certificates to meet 100% of the company's purchased electricity use at its Franklin Park, Illinois facility.

SLOAN®

Sloan Valve Company
10500 Seymour Avenue
Franklin Park, IL 60131
Phone: 1-800-9-VALVE-9 (982-5839)
or 1-847-671-4300
Fax: 1-800-447-8329 or 1-847-671-4380
www.sloanvalve.com

Copyright © 2009 Sloan Valve Company
10/09 Rev. 0