



Kelston® Comfort Height®

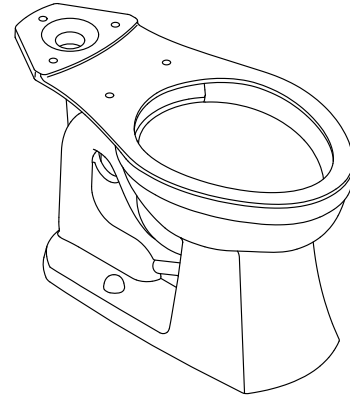
Elongated chair-height toilet bowl
K-32809

Features

- Elongated bowl offers added room and comfort.
- Comfort Height® feature offers chair-height seating that makes sitting down and standing up easier for most adults.
- 2-1/8" (54 mm) fully glazed trapway.
- Revolution 360® flushing technology generates a forceful swirling motion to keep the bowl clean longer.
- CleanCoat™ surface treatment inhibits the growth of water scale and mineral stains for improved ease of cleaning.
- Coordinates with other products in the Kelston collection.
- Combines with the K-32808 or K-32808-RA tank to create a complete K-32810 or K-32810-RA toilet; pair with the K-32818 tank to create a complete K-32820 toilet.

Installation

- Supply line sold separately.
- Standard 12" (305 mm) rough-in.
- Seat sold separately.



Codes/Standards

ASME A112.19.2/CSA B45.1

KOHLER® Toilets and Seats Limited Warranty

See website for detailed warranty information.

Available Colors/Finishes

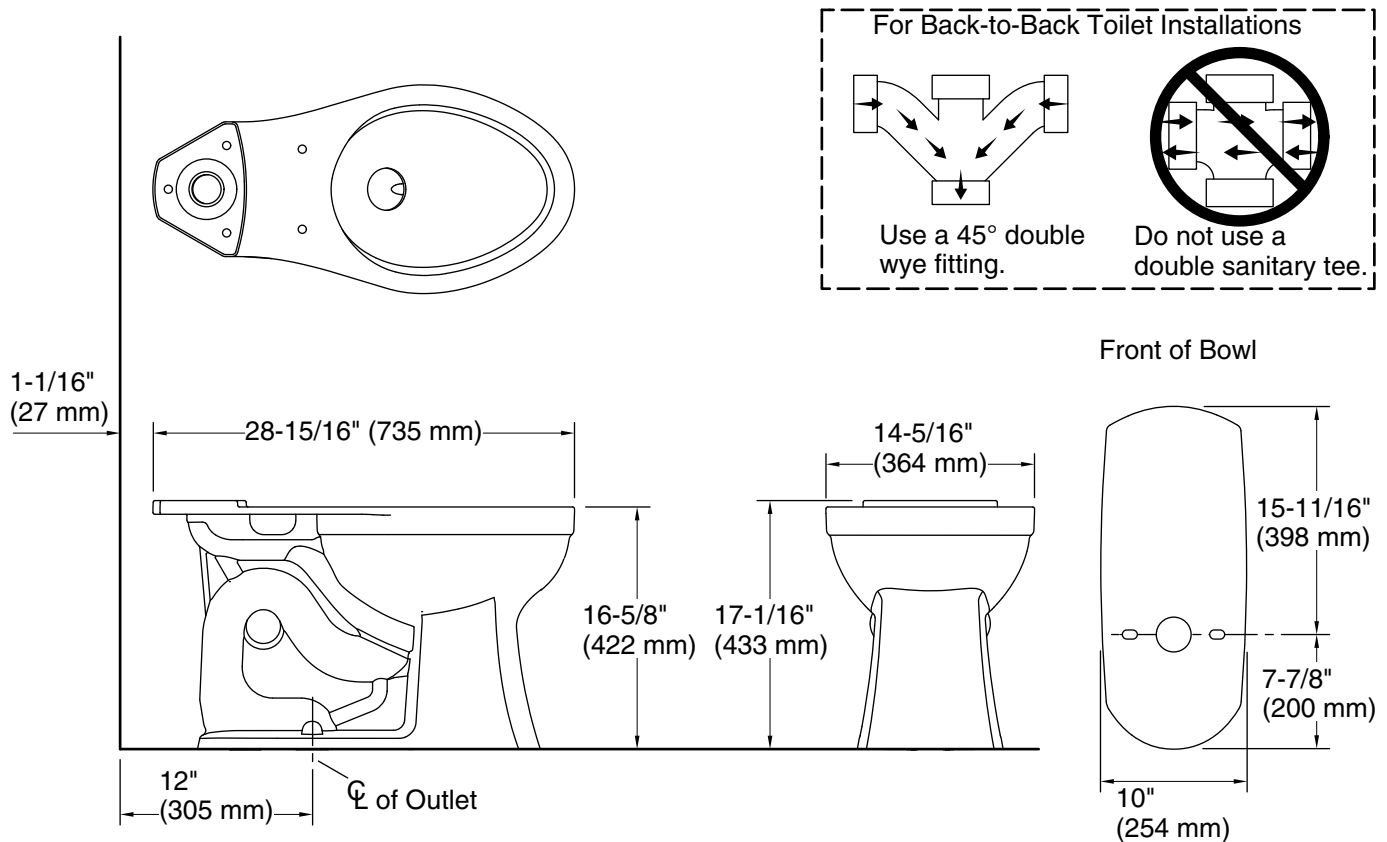
Color tiles intended for reference only.

Color	Code	Description
-------	------	-------------

	0	
--	---	--

	7	
--	---	--

	7	
--	---	--



Technical Information

All product dimensions are nominal.

Toilet type:	Floor-mount
Waste Outlet:	Floor
Bowl shape:	Elongated
Trap passageway:	2-1/8" (54 mm)
Water Consumption	
Full:	1.28 gpf (4.8 lpf)
Water surface size:	10-3/8" x 8-1/4" (264 mm x 210 mm)
Rim to water surface:	6-5/8" (168 mm)
Seat-mounting holes:	5-1/2" (140 mm)

Fixture Supply Requirements

Min static pressure:	20 psi (137.9 kPa)
Max static pressure:	80 psi (551.6 kPa)

Notes

Install this product according to the installation instructions.