

ELKAY® SPECIFICATIONS

Gourmet Undermount Double Bowl Sink Model ELUH3118 Series

NEW ELUH Installation Options

ELUH models have been redesigned to accommodate 1/2" reveal and no reveal installation options.

GENERAL

Highest quality sink formed of #18 (1.2mm) gauge, type 304 (18-8) nickel bearing stainless steel. Undermount.

DESIGN FEATURES

Bowl Depths: 7-7/8" (200mm) (ELUH3118), 10" (254mm) (ELUH311810), 7-7/8" (200mm) shallow bowl, 10" (254mm) deep bowl (ELUH311810L/R).

Coved Corners: 1-3/4" (44mm) vertical and horizontal radius.

Finish: Exposed surfaces are hand blended to a Lustrous Highlighted Satin finish.

Underside: Underside of sink is fully protected by heavy duty Sound Guard® undercoating to reduce condensation and dampen sound.

OTHER

Drain Opening: 3-1/2" (89mm).

Note: All Elkay undermount sinks are designed to affix to the underside of any solid surface countertop.

Sink complies with ASME A112.19.3/ CSA B45.4

 Sinks are listed by IAPMO® as meeting the applicable requirements of the Uniform Plumbing Code®, International Plumbing Code®, and National Plumbing Code of Canada.

OPTIONAL ACCESSORIES

Bottom Grid: LKWOBG1316SS

Cutting Boards: (All cutting boards for Reveal mount only): CB1613, CB1713, CBR1316, CBS1316

Drain: LK99

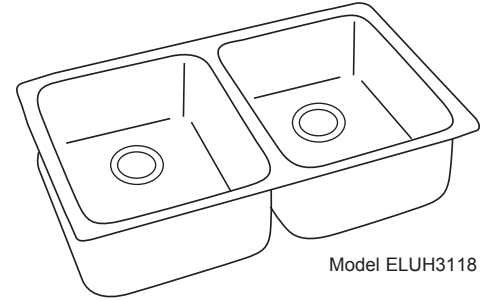
Mounting Clip: LKUCLIP8 (2 packages required)

Rinsing Baskets: LKWRB1316SS, LKWERBSS

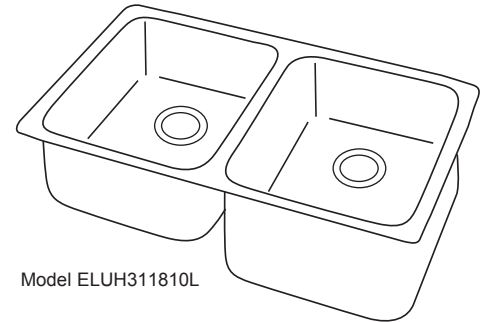
Utensil Caddy for Rinsing Basket: LKWUCSS

SINK PACKAGE(S)

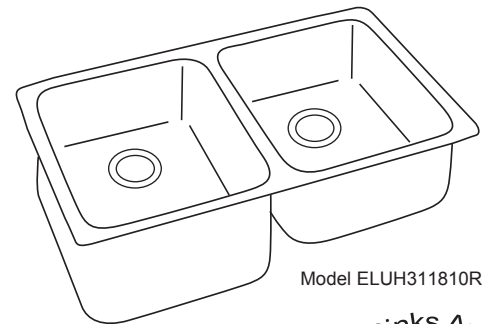
MODEL	SINK	BOTTOM GRID	QTY	DRAIN	QTY
ELUH3118DBG	ELUH3118	LKWOBG1316SS	1	LK99	1
ELUH311810DBG	ELUH311810	LKWOBG1316SS	1	LK99	1
ELUH311810LDBG	ELUH311810L	LKWOBG1316SS	1	LK99	1
ELUH311810RDBG	ELUH311810R	LKWOBG1316SS	1	LK99	1



Model ELUH3118



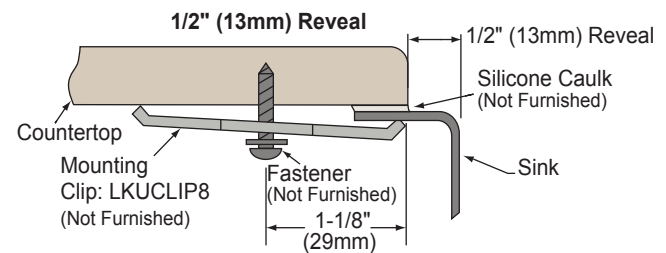
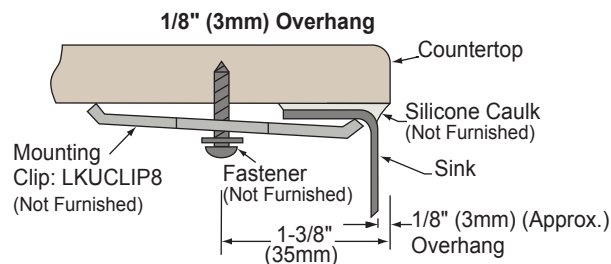
Model ELUH311810L



Model ELUH311810R



Installation Profile



In keeping with our policy of continuing product improvement, Elkay reserves the right to change product specifications without notice. Please visit elkay.com for the most current version of Elkay product specification sheets.

This specification describes an Elkay product with design, quality, and functional benefits to the user. When making a comparison of other producers' offerings, be certain these features are not overlooked.

**Gourmet Undermount Double Bowl Sink
Model ELUH3118 Series**

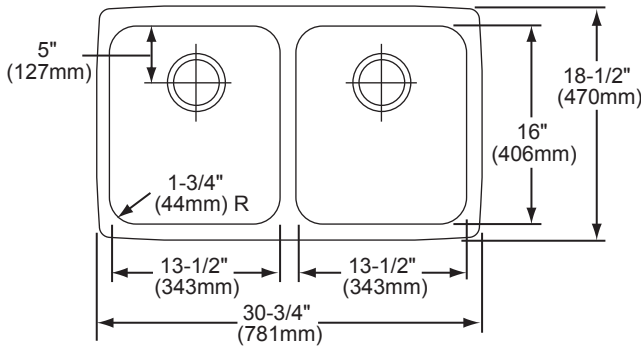
**ELKAY®
SPECIFICATIONS**

SINK DIMENSIONS*

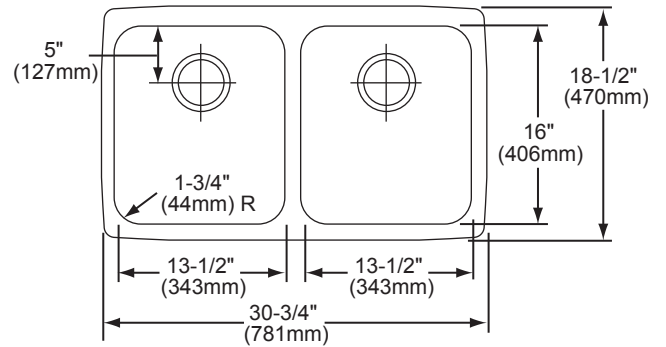
Model Number	Overall		Inside Left Bowl			Inside Right Bowl			Cutout in Countertop	Minimum Cabinet Size
	L	W	L	W	D	L	W	D		
ELUH3118	30 ³ / ₄ (781mm)	18 ¹ / ₂ (470mm)	13 ¹ / ₂ (343mm)	16 (406mm)	7 ⁷ / ₈ (200mm)	13 ¹ / ₂ (343mm)	16 (406mm)	7 ⁷ / ₈ (200mm)	See Template**	36 (914mm)
ELUH311810	30 ³ / ₄ (781mm)	18 ¹ / ₂ (470mm)	13 ¹ / ₂ (343mm)	16 (406mm)	10 (254mm)	13 ¹ / ₂ (343mm)	16 (406mm)	10 (254mm)		36 (914mm)
ELUH311810L	30 ³ / ₄ (781mm)	18 ¹ / ₂ (470mm)	13 ¹ / ₂ (343mm)	16 (406mm)	7 ⁷ / ₈ (200mm)	13 ¹ / ₂ (343mm)	16 (406mm)	10 (254mm)		36 (914mm)
ELUH311810R	30 ³ / ₄ (781mm)	18 ¹ / ₂ (470mm)	13 ¹ / ₂ (343mm)	16 (406mm)	10 (254mm)	13 ¹ / ₂ (343mm)	16 (406mm)	7 ⁷ / ₈ (200mm)		36 (914mm)

*Length is left to right. Width is front to back.

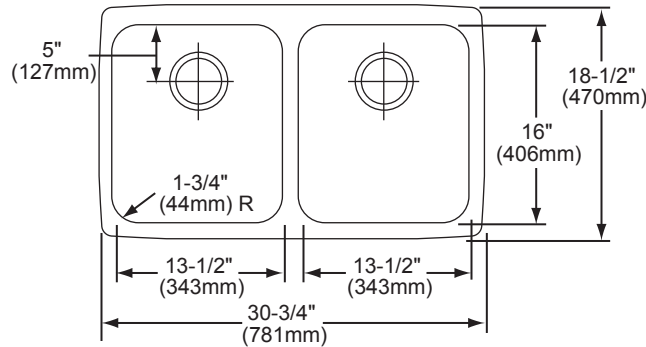
**Template #100001312 is packed with every sink.



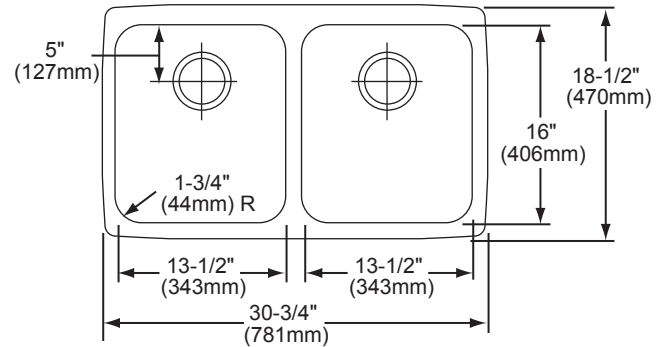
Model ELUH3118 Illustrated



Model ELUH311810 Illustrated



Model ELUH31181010L Illustrated



Model ELUH31181010R Illustrated

In keeping with our policy of continuing product improvement, Elkay reserves the right to change product specifications without notice. Please visit elkay.com for the most current version of Elkay product specification sheets.

This specification describes an Elkay product with design, quality, and functional benefits to the user. When making a comparison of other producers' offerings, be certain these features are not overlooked.