

STERLING®

A KOHLER COMPANY

RIVERTON™

ALL-IN-ONE HET-HIGH EFFICIENCY TOILET 404701



Features

- Vitreous china
- Elongated bowl
- 5-year limited warranty
- Three-bolt, quick-connect installation system
- Includes seat, cover, wax ring, polished chrome trip lever and floor hardware
- Less supply
- 1.28 gpf (4.8 lpf)
- Insulated tank liner [404701-U]
- 12" (305 mm) rough-in
- 2" (51 mm) glazed trapway
- 8" (203 mm) x 9" (229 mm) water area
- 29-1/4" (743 mm) x 18-1/8" (460 mm) x 29" (737 mm)

Codes/Standards Applicable

Specified model meets or exceeds the following:

- ASME A112.19.2/CSA B45.1
- EPA WaterSense®



Colors/Finishes

- 0: White

Specified Model

Model	Description	Included tank	Included bowl	Colors/Finishes
404701	All-in-One toilet	404552	403215	<input type="checkbox"/> 0
404701-U	All-in-One toilet, with insulated tank liner	404552-U	403215	<input type="checkbox"/> 0

RIVERTON™

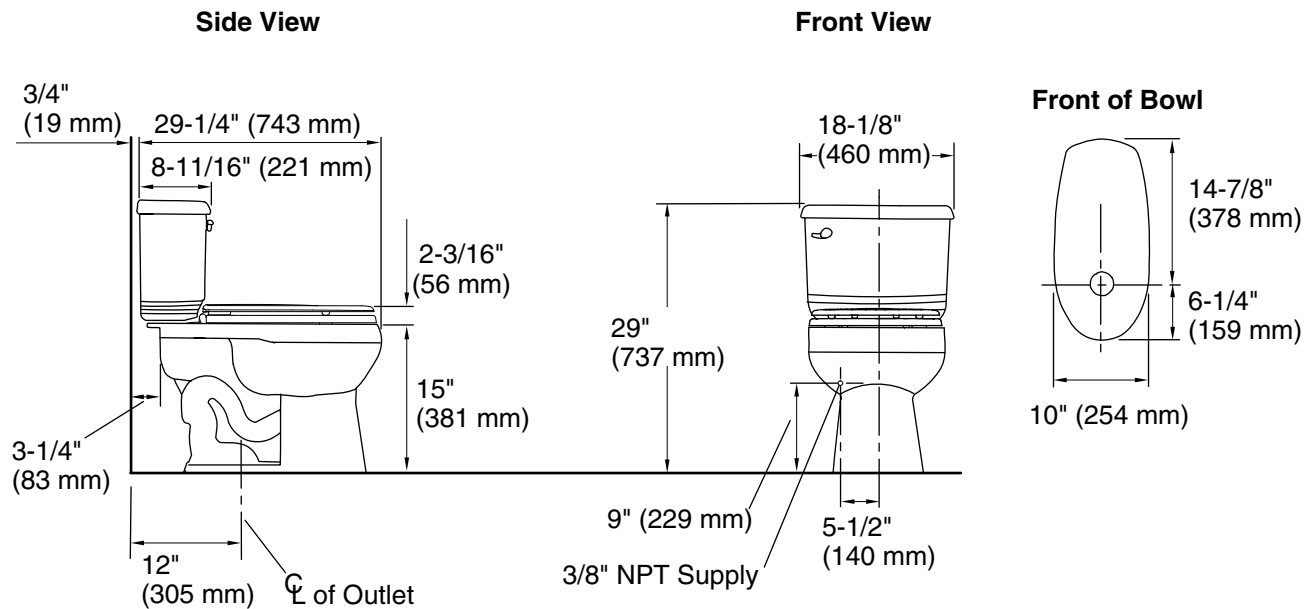
Technical Information

Fixture:	
Configuration	two-piece, elongated
Water per full flush	1.28 gal (4.8 L)
Passageway	2" (51 mm)
Water area	8" (203 mm) x 9" (229 mm)
Water depth from rim	7" (178 mm)
Seat post hole centers	5-1/2" (140 mm)

Included components:	
Bowl	403215
Tank	404552 OR 404552-U
Tank cover	84624
Trip lever	84625
Toilet seat	K-4647
Tank accessory pack	84581
Bolt cap accessory pack	1013092
Wax ring and hardware installation kit	1023457

Installation Notes

One flush cleansing of the bowl per ASME A112.19.2/CSA B45.1 and Dual Force® toilets per ASME A112.19.14-2006 performance requirements, when installed and operated per instructions packed with the product.



Product Diagram