

# Home Care Technical Specification

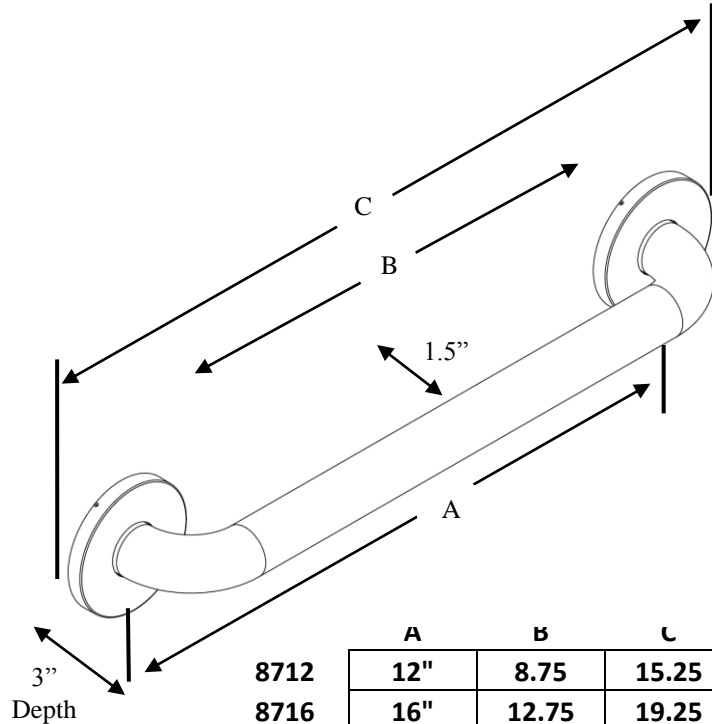
## 1 1/4" Grab Bars – Concealed Screw

8700

### Stock Numbers:

- ❑ **R8712W, DN8712, LR8712W – 12" Grab Bar**  
Stainless Steel or White Finish, 1 1/4" Bar
- ❑ **8716, R8716W, LR8716W – 16" Grab Bar**  
Stainless Steel or White Finish, 1 1/4" Bar
- ❑ **8718, L8718, R8718PS, LR8718PS, R8718PB, LR8718W, R8718W – 18" Grab Bar**  
Stainless Steel, Polished Stainless, Polished Brass, or White Finish, 1 1/4" Bar
- ❑ **8724, L8724, R8724PS, LR8724PS, LR8724W R8724PB, R8724W – 24" Grab Bar**  
Stainless Steel, Polished Stainless, Polished Brass, or White Finish, 1 1/4" Bar
- ❑ **8730, R8730W – 30" Grab Bar**  
Stainless Steel or White, 1 1/4" Bar
- ❑ **8732, R8732W – 32" Grab Bar**  
Stainless Steel or White Finish, 1 1/4" Bar
- ❑ **R8736PS, R8736W, 8736, L8736–36" Grab Bar**  
Polished Stainless or White Finish, 1 1/4" Bar
- ❑ **8742, R8742PS, R8742W, R8748W– 42" Grab Bar**  
Satin or Polished Stainless Finish, White Finish, 1 1/4" Bar
- ❑ **8748, R8748W – 48" Grab Bar**  
Satin Finish or White Finish, 1 1/4" Bar

### Dimensions:



	A	B	C
8712	12"	8.75	15.25
8716	16"	12.75	19.25
8718	18"	14.75	21.25
8724	24"	20.75	27.25
8730	30"	26.75	33.25
8732	32"	28.75	35.25
8736	36"	32.75	39.25
8742	42"	38.75	45.25
8748	48"	44.75	51.25

### Materials:

1 1/4" Grab Bar rods are formed from type 304 stainless steel tubing. 12" – 42" length is 20 gauge 48" length is 18 gauge

### Compliance:

- ADA, ANSI, ASTM, CSA
- Tested to 500 lbs. pull

### Installation Instructions:

1. Position unit on wall in desired location.
2. Mark mounting holes.
3. Drill starter holes.
4. Mount unit on wall using 2" screws (provided).
5. Snap flange covers into place.

Note: SecureMount Anchors are recommended for use in non-stud (hollow-wall) applications per installation instructions. (Secure Mount Anchors are sold separately)

**Stock Number:** \_\_\_\_\_ 1 1/4" Grab Bars  
By Creative Specialties



Buy it for looks. Buy it for life.®

25300 AL MOEN DRIVE • NORTH OLMSTED, OH 44070  
CORPORATE HEADQUARTERS: (800) 321-8809 • FAX: (800) 848-6636  
INTERNATIONAL: (440) 962-2000 • FAX: (440) 962-2726  
CUSTOMER SERVICE (USA): 800-882-0116 • FAX: (888) 379-2720  
WWW.MOEN.COM

©Copyright Creative Specialties International

Literature #BA1675