

Features

- Low-profile design with easy-to-clean water-resistant casing.
- Large, easy-to-read LCD screen displays time and temperature.
- Raised one touch buttons for simple and intuitive system control.
- Provides independent control of up to three outlets.
- Suitable for multi-outlet shower or bath/shower applications.
- Second interface can be added to each system for alternate locations and applications.
- Adjustable default and high limit temperature settings.
- System warm-up and pause feature.
- Duration/countdown timer feature.

Material

- Premium material construction for durability and reliability.

Installation

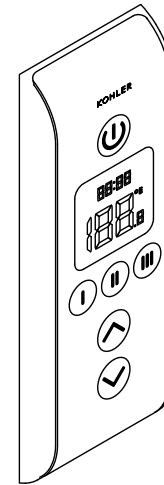
- Surface-mount.

Required Products/Accessories

- K-557-K Digital Three-Port Thermostatic Valve
- K-559 interface mounting bracket

Recommended Products/Accessories

- K-23723 Faucet cleaner



ADA

Codes/Standards

UL 1951
CSA C22.2 No. 14
CSA C22.2 No. 68
ADA
ICC/ANSI A117.1

KOHLER® Electronic Faucets, Valves, and Controls Five-Year Limited Warranty

See website for detailed warranty information.

Available Colors/Finishes

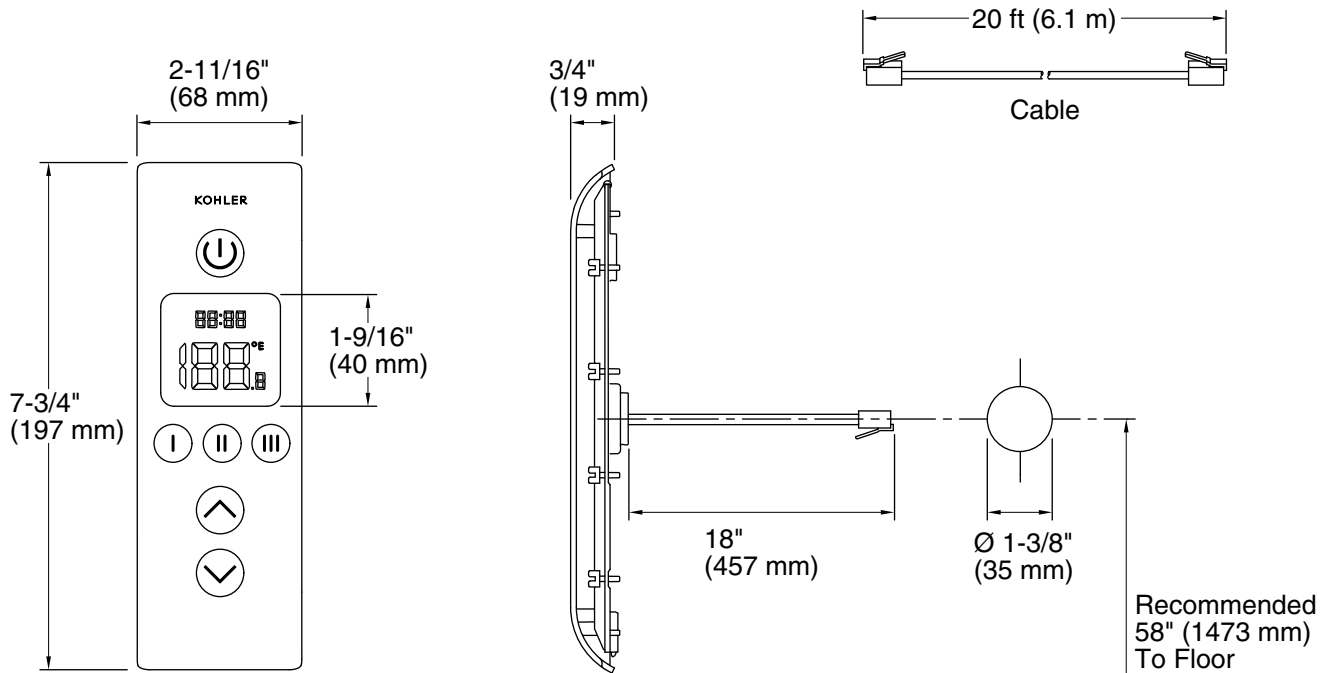
Color tiles intended for reference only.

Color	Code	Description
-------	------	-------------



1CP

Satin Chrome with Polished Chrome



Technical Information

All product dimensions are nominal.
Max. Ambient temp: 125°F (51.7°C)

Notes

Install this product according to the installation guide.
ADA compliant when installed to the specific requirements of these regulations.