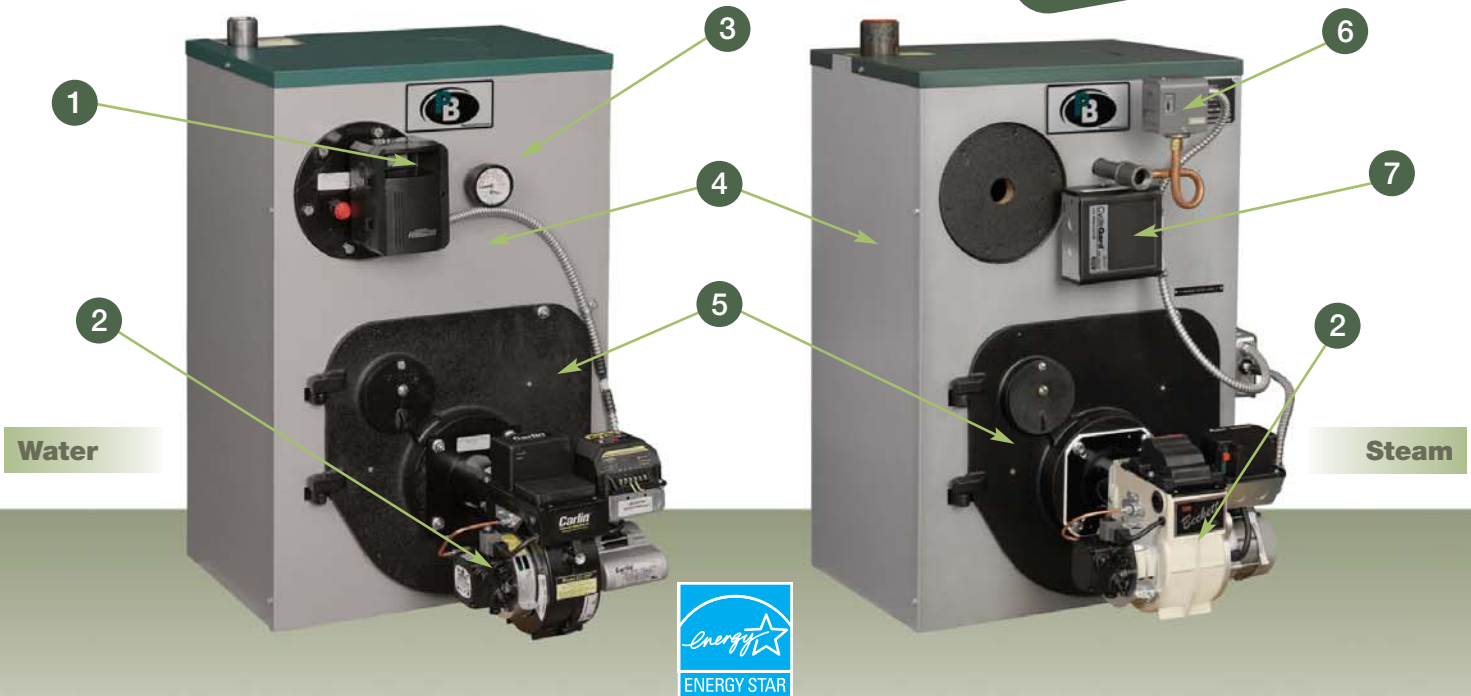




Series WBV™

Residential Oil Boilers

**Up to 87.5%
AFUE!**



- 1 Boiler Limit and Reset Control with Circulator Relay and LWCO
- 2 High Efficiency Flame Retention Burner
- 3 Temperature-Pressure Gage
- 4 Insulated Jacket
- 5 Full Plate Swing-Out Door
- 6 Pressure Control
- 7 Probe LWCO

Series WBV™ Boiler Features

- Up to 87.5% AFUE—ENERGY STAR® Efficient*!
- Residential, Oil-fired Boiler for Hot Water or Steam Systems
- Natural Draft (Chimney) Venting
- High Efficiency, Flame Retention Burners—Choice of Beckett, Carlin or Riello
- Cast Iron Sections—Factory Tested and Assembled with Steel Push Nipples
- Wet Base Section Design—Ideal for Steam and Hot Water Applications
- Rear or Top Flue Convertibility (certain models)
- Deluxe Powder Coated Steel Jacket—Reduces Boiler Heat Loss
- Full Plate Swing Out Door—For Quick and Easy Cleaning

*certain firing rates

Standard Equipment

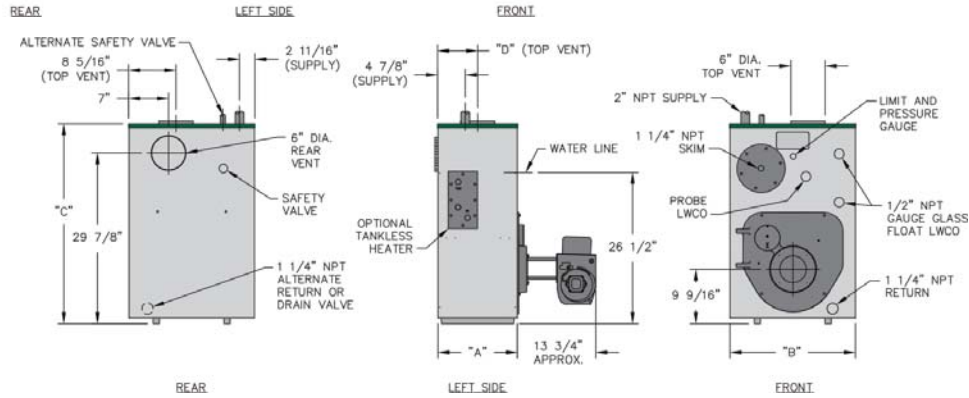
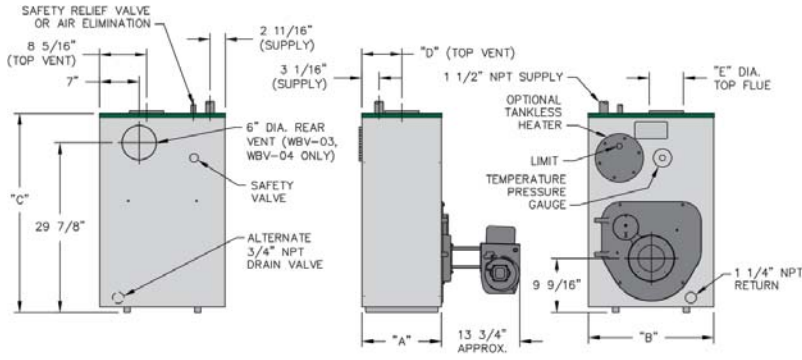
- > Boiler Reset Control with Low Water Cut-off (HydroStat 3250) for Increased Efficiency and Safety (Water Boilers)
- > Taco Circulator (Water Boilers)
- > Probe Type LWCO and Skim Tapping (Steam Boilers)
- > Drain Valve
- > Top Cleanout
- > Built-in Air Elimination Baffle

All residential cast iron boilers include a full one-year warranty. A limited, non-prorated lifetime warranty is provided for the cast iron sections of Peerless® residential hot water boilers. A limited, ten-year warranty is provided on the cast iron sections of residential steam boilers. Visit PeerlessBoilers.com for complete details.



Technical Information

Water



Steam

Boiler Ratings

Series WBV™ - Water							AHRIM CERTIFIED® www.ahridirectory.org	
Boiler Model Number	AFUE ⁵ , %	Input		Heating Capacity ⁵ , MBH	Net Ratings Water ^{2/4} , MBH	Flue Collar (inch)	Approx. Ship Weight (lbs)	
		GPH ¹	MBH					
WBV-03-060-W	87.5*	0.60†	84	75	65	6	565	
WBV-03-085-W	86.2	0.85	119	104	90	6	565	
WBV-03-105-W	85.0	1.05	147	126	110	6	565	
WBV-04-095-W	87.0*	0.95†	133	117	102	6	695	
WBV-04-125-W	85.4	1.25	175	151	131	6	695	
WBV-04-150-W	85.1	1.50	210	180	157	6	695	
WBV-05-175-W†	85.5	1.75	245	212	184	7	830	
WBV-05-195-W†	85.0	1.95	273	235	204	7	830	

Boiler Dimensions

Boiler Model Number	Jacket Depth "A"	Jacket Width "B"	Jacket Height "C"	Rear of Jacket to c/l of Vent "D"	Vent Size Diameter "E"
Water					
WBV-03-060/085/105	14-1/8"	22-1/8"	35"	7-1/16"	6"
WBV-04-095/125/150	18-1/8"	22-1/8"	35"	9-1/16"	6"
WBV-05-175/195	22-1/8"	22-1/8"	35"	11-1/16"	7"
Steam					
WBV-03-085/105	15-3/4"	22-1/8"	35"	8-7/8"	—
WBV-04-125/150	19-3/4"	22-1/8"	35"	10-7/8"	—

Series WBV™ - Steam

Boiler Model Number	AFUE ⁵ , %	Input		Heating Capacity ⁵ , MBH	Net Ratings ⁴		Flue Collar (inch)	Approx. Ship Weight (lbs)
		GPH ¹	MBH		Steam sqft	Steam MBH ³		
WBV-03-085-S	84.8	0.85	119	103	321	77	6	570
WBV-03-105-S	83.6	1.05	147	124	388	93	6	570
WBV-04-125-S	85.3	1.25	175	151	471	113	6	685
WBV-04-150-S	84.3	1.50	210	179	558	134	6	685

* As an ENERGY STAR® Partner, PB Heat, LLC has determined that these firing rates meet the ENERGY STAR guidelines for energy efficiency.

† Top venting only.

‡ Nozzles for these firing rates not provided as standard equipment. Consult factory for price and availability.

• This firing rate can only be achieved with a Riello F-3 burner. Consult us for details.

1 Burner input based on No. 2 fuel oil with a heating value of 140,000 Btu per gallon.

2 Net water ratings based on an allowance of 1.15.

3 Net steam ratings based on an allowance of 1.333.

4 Consult factory before selecting a boiler for installations having unusual piping and pickup requirements, such as intermittent system operation, extensive piping systems, etc.

5 Heating Capacity and Annual Fuel Utilization Efficiency (AFUE) ratings are based on U.S. Government tests.

6 Chimney Size: 8" x 8" x 15 ft.



PeerlessBoilers.com



Printed on Recycled Paper

PeerlessBoilers.com

CUT-WBV R6 (5/19-4M)

Printed in U.S.A.

©2019 PB Heat, LLC. All rights reserved.