

### Features

- 27-inch minimum base cabinet width.
- Single bowl.
- 11-1/4-inch depth provides generous workspace.
- No faucet holes.
- SilentShield Plus® sound-absorption technology helps maintain water temperature, reduces condensation, and decreases noise.
- Rear drain increases workspace in the sink and storage space underneath.
- Includes installation hardware.

### Material

- 18-gauge stainless steel.

### Installation

- Under-mount

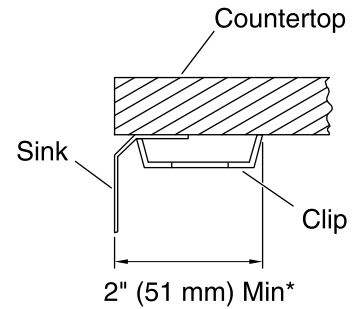
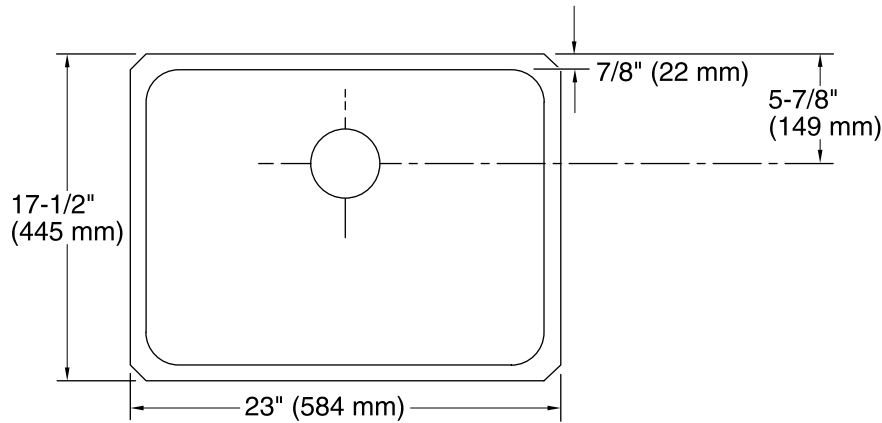


### Codes/Standards

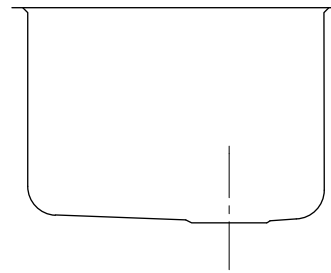
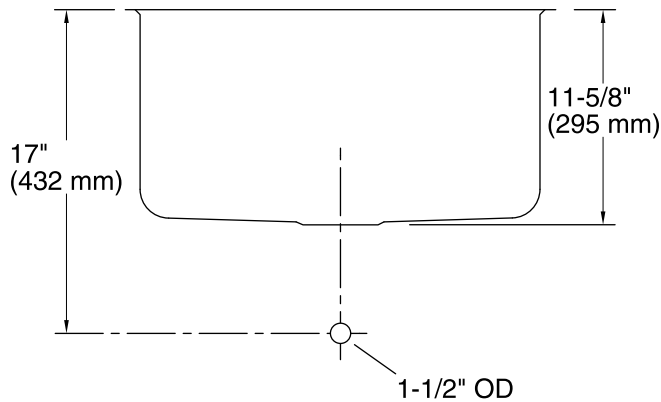
ASME A112.19.3/CSA B45.4

### Lifetime Limited Warranty for KOHLER® Stainless Steel Sinks

See website for detailed warranty information.



\* Allow clearance around sink rim for clip attachment.



### Technical Information

All product dimensions are nominal.

Installation:	Under-mount, Under-mount
Bowl area (Only)	Length: 21-1/4" (540 mm) Width: 15-3/4" (400 mm) Bowl depth: 11-5/16" (287 mm) Water depth: 11-5/16" (287 mm)
Template:	Under-mount, 113193-7, required, included

### Notes

Install this product according to the installation instructions.