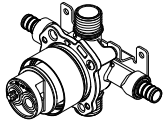
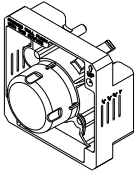


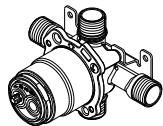
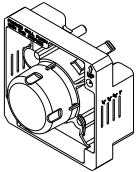
**Tub and Shower Faucet Rough-In Valve Assembly**

**SPECIFICATIONS**

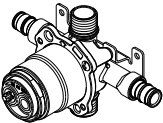
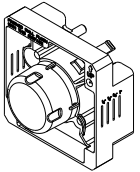
Use with trim kits for:



**GS-504**  
(G00GS504)



**GS-505**  
(G00GS505)



**GS-507**  
(G00GS507)

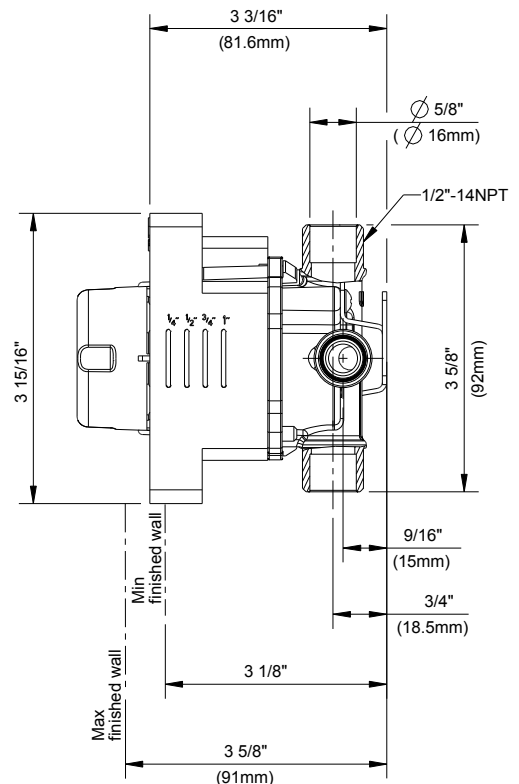
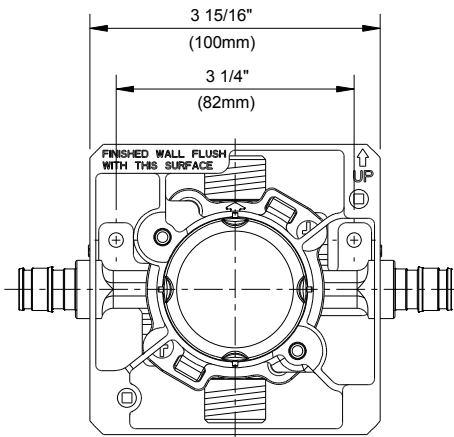
**Features/Benefits**

- Includes forged valve body, plaster guard and innovative pressure test cap
- Connection Type:  
GS-504: 1/2" F1807 (crimp) PEX inlets, 1/2" IPS/sweat outlets  
GS-505: 1/2" IPS/sweat inlets, 1/2" IPS/sweat outlets  
GS-507: 1/2" F1960 (cold expansion) PEX inlets, 1/2" IPS/sweat outlets
- Installed rough-in can be pressure tested to 150PSI (air or water), mixed or isolated inlets, using included pressure test plug
- Accommodates standard, back-to-back, and thin wall installations
- Integrated, easy-access mounting system
- Treysta cartridge ships with trim, sold separately

**Catalog Numbers**

- |                   |                            |
|-------------------|----------------------------|
| GS-504 (G00GS504) | F1807 inlets w/o stops     |
| GS-505 (G00GS505) | IPS/sweat inlets w/o stops |
| GS-507 (G00GS507) | F1960 inlets w/o stops     |

**Standards & Certifications**



**Submittal Information:**

Name: \_\_\_\_\_  
Location: \_\_\_\_\_

Contractor: \_\_\_\_\_  
Contact #: \_\_\_\_\_