



Reach™ Curv

One-piece compact elongated dual-flush toilet
K-23188-HC

Features

- One-piece toilets integrate the tank and bowl into a seamless, easy-to-clean design.
- Compact elongated bowl offers added comfort while occupying the same space as a round-front bowl.
- Standard height.
- Top-mount dual-flush actuator offers a choice of 0.8 or 1.28 gpf (3.0 or 4.8 lpf).
- 2" (51 mm) fully glazed trapway.
- Fully skirted trapway simplifies cleaning.
- Hidden cord design conceals cleansing seat cords.
- Alternative option available: Reach Curv with nonhidden cord design (K-23188).



Installation

- Standard 12" (305 mm) rough-in.
- Supply line sold separately.
- Cleansing seat sold separately.

Required Products/Accessories

K-26132-CSP C³®-420 Heated elongated cleansing toilet seat

Recommended Products/Accessories

1265114 Connector Hose
1023457 Wax Ring/Hardware Kit



Codes/Standards

ASME A112.19.2/CSA B45.1
ASME A112.19.14
DOE - Energy Policy Act 1992
EPA WaterSense®
California Energy Commission (CEC)

KOHLER® Toilets and Seats Limited Warranty

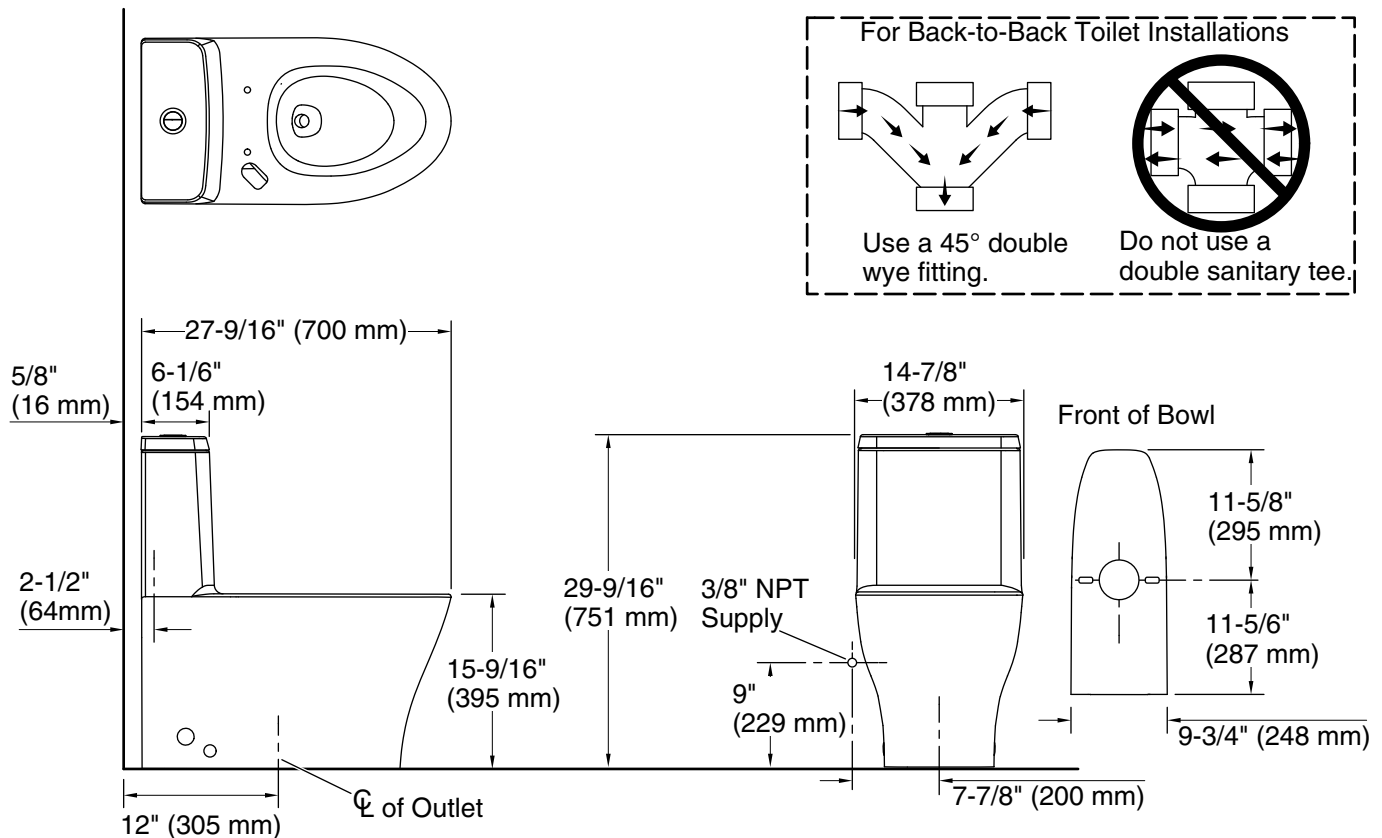
See website for detailed warranty information.

Available Colors/Finishes

Color tiles intended for reference only.

Color Code Description

	0	White
--	---	-------



Technical Information

All product dimensions are nominal.

Toilet type:	Floor-mount
Waste Outlet:	Floor
Bowl shape:	Compact elongated
Flush type:	Siphon jet
Trap passageway:	2" (51 mm)
Water Consumption	
Full:	1.28 gpf (4.8 lpf)
Reduced:	0.8 gpf (3 lpf)
Water surface size:	7-3/4" x 5-3/4" (197 mm x 146 mm)
Rim to water surface:	5-13/16" (148 mm)
Rough-in:	12" (305 mm)
Seat-mounting holes:	5-1/2" (140 mm)
Template:	Footprint, 1392770-7, not required, not included

Notes

Install this product according to the installation instructions.

Fixture Supply Requirements

Min static pressure:	20 psi (137.9 kPa)
Max static pressure:	80 psi (551.6 kPa)

1-800-4KOHLER (1-800-456-4537)

Kohler Co. reserves the right to make revisions without notice to product specifications.

For the most current Specification Sheet, go to www.kohler.com.