

Features

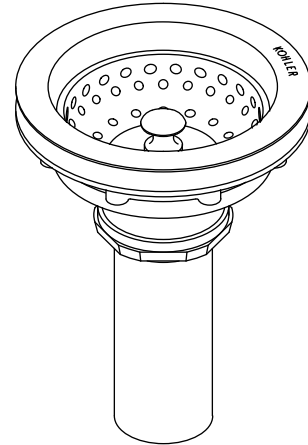
- *Stainless steel*
- *Intended for sink installations with 3-1/2" (89 mm) or 4" (102 mm) outlet*
- *Removable stainless steel basket strainer*
- *1-1/2" diameter connection*

Codes/Standards Applicable

Specified model meets or exceeds the following:

- *ASME A112.18.2/CSA B125.2*

**SINK STRAINER
K-8813
ALSO K-8814**



Colors/Finishes

- CP: Polished Chrome

Specified Model

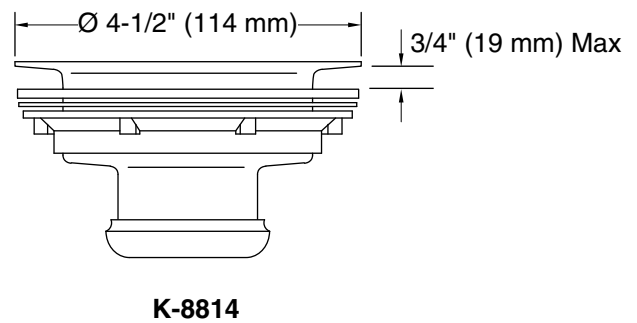
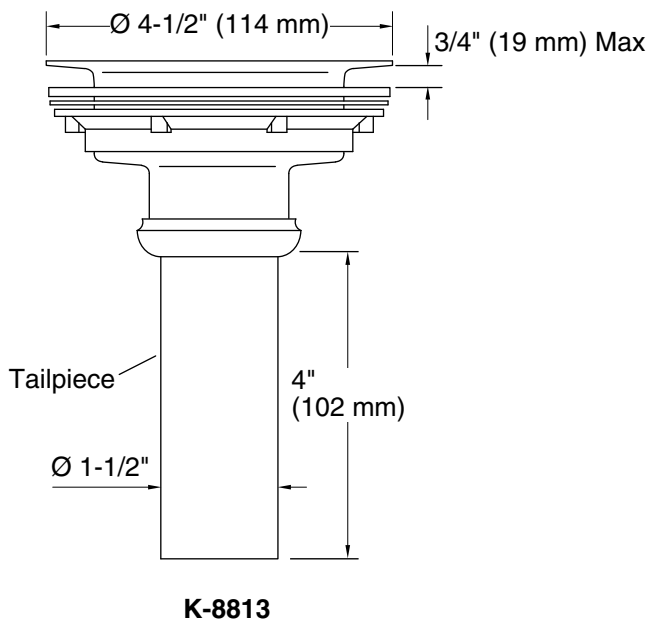
Model	Description	Colors/Finishes
K-8813	Sink strainer with tailpiece (shown)	<input type="checkbox"/> CP
K-8814	Sink strainer less tailpiece	<input type="checkbox"/> CP

Product Specification

The sink strainer shall be made of stainless steel. Product shall feature a removable basket strainer, and 1-1/2" diameter connection. Product is intended for sink installations with 3-1/2" (89 mm) or 4" (102 mm) outlet. Sink strainer shall be Kohler Model K-____-CP.

Installation Notes

Install this product according to the installation guide.



Product Diagram