

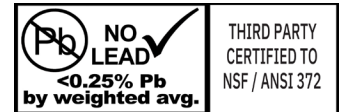
304 STAINLESS STEEL INSERT FITTINGS

SPECIFICATIONS:

- Made from 304 Stainless Steel. Materials conform to ASTM A351.
- Threads conform to ANSI/ASME B1.20.1
- For use with ASTM D2239 polyethylene (PE) plastic pipe (Standard Specification for Polyethylene (PE) Pipe (SIDR-PR) Based on Controlled Inside Diameter)
- System operating pressures and temperatures are limited by the maximum operating pressures and temperatures of the ASTM D2239 PE plastic pipe. Always refer to the PE pipe manufacturer's pressure and temperature ratings.
- Insert fittings are intended for cold water applications including irrigation, well service, and potable water applications. These products are not to be used with compressed gases.
- Fittings must be protected from freezing temperatures where fluid expansion due to freezing could occur.
- Recommended to use both gray stainless steel PTFE tape and Gray Magic pipe thread compound for joining stainless steel threaded fittings.

CERTIFICATION:

- NSF/ANSI Standard 372 Certified (Drinking Water System Components - Lead Content)



PRESSURE & TEMPERATURE RATINGS FOR 304 STAINLESS STEEL INSERT FITTINGS

Temperature		Pressure	
°F	°C	PSI	bar
73.4	23	400	27.6
150	65.5	300	20.7
200	93.3	265	18.3
250	121.1	225	15.5
300	148.8	165	11.4
350	176.6	150	10.3
400	204.4	125	8.6

Pressure rating charts should be used as a guide only. For pressures over the stated maximum or temperatures over 73.4 °F (23 °C), independent testing by the end user is recommended. It is solely the user's responsibility to determine the suitability of the fitting for the intended service.



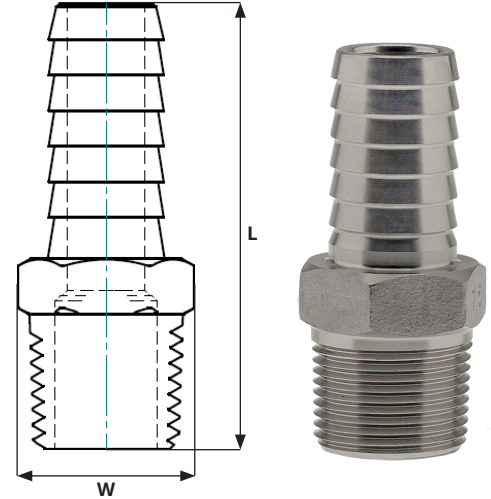
25 Whaley Avenue, PO Box 310, Milverton, ON CANADA N0K 1M0
Tel: 800-561-3164

boshart.com ♦ blog.boshart.com

SSMA SERIES - 304SS ADAPTER

■ MPT x Poly Insert Barb

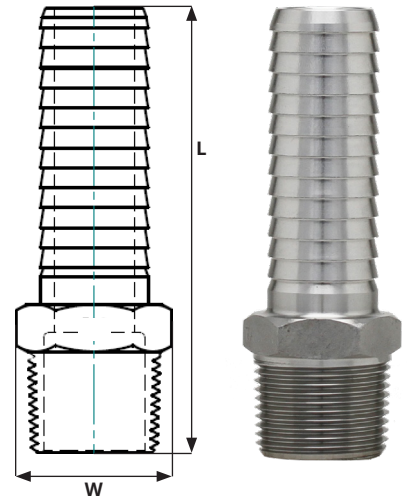
DIMENSIONS							
Part No.	Size (MPT x Poly)	No. of Barbs	W		L		Weight grams
			in	mm	in	mm	
SSMA-050	1/2"x1/2"	6	0.86	21.8	2.50	63.5	68.0
SSMA-075	3/4"x3/4"	6	1.13	28.7	2.68	68.1	111.5
SSMA-075-100	3/4"x1"	6	1.13	28.7	2.65	67.3	121.6
SSMA-100	1"x1"	7	1.35	34.3	3.20	81.3	189.1
SSMA-125	1-1/4"x1-1/4"	7	1.62	41.1	3.23	82.0	254.9
SSMA-125-100	1-1/4"x1"	7	1.61	40.9	3.20	81.3	216.8
SSMA-150	1-1/2"x1-1/2"	6	1.92	48.8	3.20	81.3	295.3
SSMA-200	2"x2"	7	2.44	62.0	3.55	90.2	532.0



SSMAXL SERIES - 304SS EXTRA LONG ADAPTER

■ MPT x Poly Insert Barb

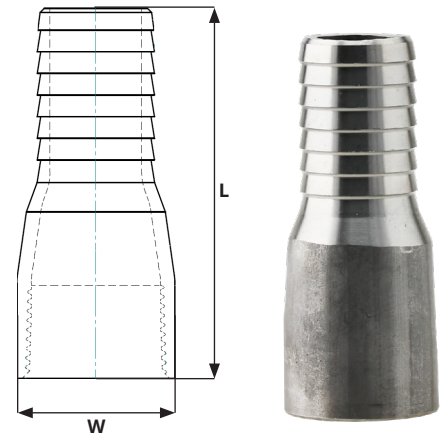
DIMENSIONS							
Part No.	Size (MPT x Poly)	No. of Barbs	W		L		Weight grams
			in	mm	in	mm	
SSMAXL-100	1"x1"	13	1.35	34.3	4.45	113.0	238.1
SSMAXL-125	1-1/4"x1-1/4"	13	1.62	41.1	4.47	113.5	326.6
SSMAXL-125-100	1-1/4"x1"	13	1.61	40.9	4.45	113.0	310.7



FASS SERIES - 304SS SWAGED ADAPTER

■ FPT x Poly Insert Barb

DIMENSIONS							
Part No.	Size (FPT x Poly)	No. of Barbs	W		L		Weight grams
			in	mm	in	mm	
FASS-075	3/4"x3/4"	6	1.13	28.7	3.10	78.7	100.0
FASS-100	1"x1"	7	1.42	36.1	3.40	86.4	160.0
FASS-125	1-1/4"x1-1/4"	7	1.77	45.0	3.60	91.4	220.0
FASS-150	1-1/2"x1-1/2"	9	2.00	50.8	3.90	99.1	280.0
FASS-200	2"x2"	9	2.50	63.5	4.30	109.2	460.0



BOSHART
INDUSTRIES

© 2020 Boshart Industries Inc. All Rights Reserved.

25 Whaley Avenue, PO Box 310, Milverton, ON CANADA N0K 1M0
Tel: 800-561-3164

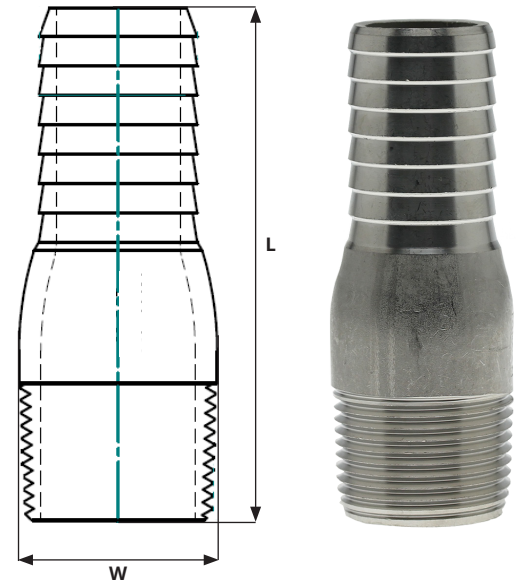
boshart.com ♦ blog.boshart.com

BII-SSMA, SSMAXL, FASS-1123(81,2182)

MASS SERIES - 304SS SWAGED ADAPTER

■ MPT x Poly Insert Barb

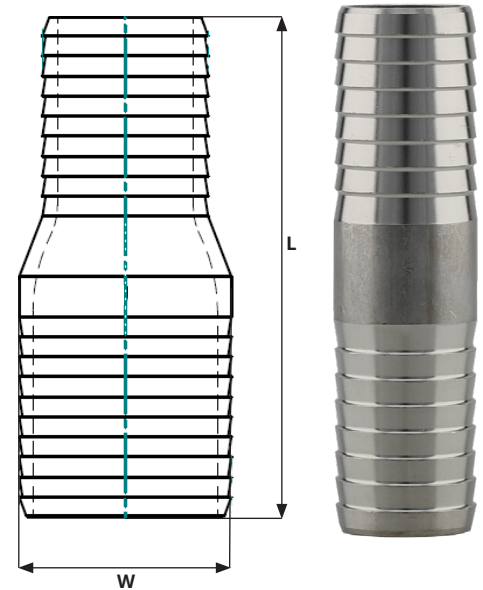
DIMENSIONS							
Part No.	Size (MPTxPoly)	No. of Barbs	W		L		Weight grams
			in	mm	in	mm	
MASS-050	1/2"x1/2"	6	0.87	22.1	3.09	78.5	70.0
MASS-050-075	1/2"x3/4"	6	0.87	22.1	3.47	88.1	110.0
MASS-075	3/4"x3/4"	6	1.08	27.4	3.15	80.0	110.0
MASS-100	1"x1"	7	1.35	34.3	3.50	88.9	170.0
MASS-125	1-1/4"x1-1/4"	7	1.69	42.9	3.75	95.3	270.0
MASS-125-100	1-1/4"x1"	7	1.69	42.9	3.75	95.3	230.0
MASS-150	1-1/2"x1-1/2"	9	1.93	49.0	4.25	108.0	380.0
MASS-200	2"x2"	9	2.41	61.2	4.40	111.8	520.0



CSS SERIES - 304SS COUPLING

■ Poly Insert Barb x Poly Insert Barb

DIMENSIONS							
Part No.	Size (PolyxPoly)	No. of Barbs	W		L		Weight grams
			in	mm	in	mm	
CSS-050	1/2"x1/2"	6	0.65	16.5	3.50	88.9	60.0
CSS-075	3/4"x3/4"	6	0.87	22.1	3.50	88.9	100.0
CSS-075-050	3/4"x1/2"	6	0.87	22.1	3.63	92.2	100.0
CSS-100	1"x1"	7	1.10	27.9	4.00	101.6	160.0
CSS-100-075	1"x3/4"	7x6	1.10	27.9	3.80	96.5	140.0
CSS-125	1-1/4"x1-1/4"	7	1.43	36.3	4.00	101.6	220.0
CSS-125-100	1-1/4"x1"	7	1.43	36.3	4.00	101.6	190.0
CSS-150	1-1/2"x1-1/2"	9	1.67	42.4	4.80	121.9	300.0
CSS-150-125	1-1/2"x1-1/4"	9x7	1.67	42.4	4.50	114.3	260.0
CSS-200	2"x2"	9	2.13	54.1	4.80	121.9	480.0
CSS-200-150	2"x1-1/2"	9	2.13	54.1	5.00	127.0	460.0



BOSHART
INDUSTRIES

25 Whaley Avenue, PO Box 310, Milverton, ON CANADA N0K 1M0
Tel: 800-561-3164

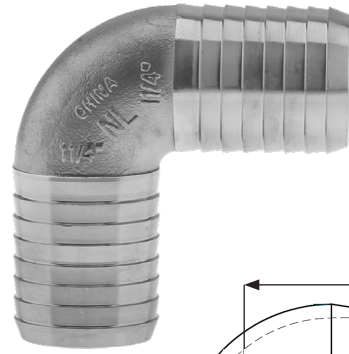
boshart.com ♦ blog.boshart.com

© 2020 Boshart Industries Inc. All Rights Reserved.

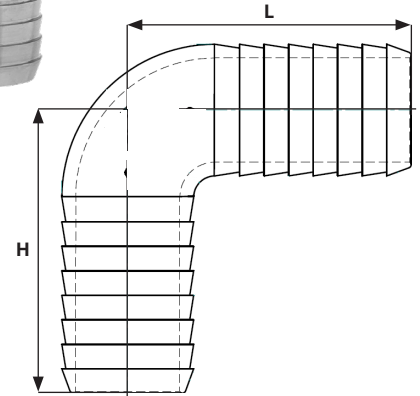
BII-MASS, CSS-1123(2182)

SSEL SERIES - 304SS 90° ELBOW

- Poly Insert Barb x Poly Insert Barb
- Smooth sweep channel minimizes friction loss ensuring high flow rates and pumping efficiency

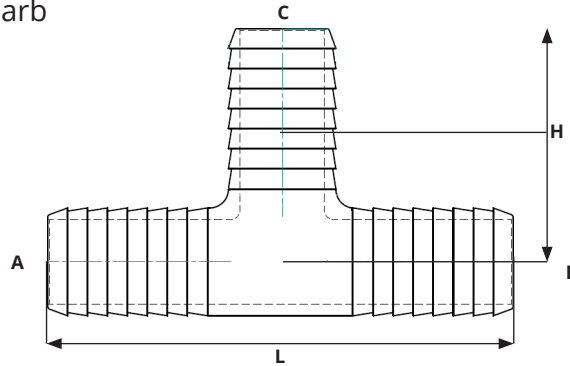


DIMENSIONS							
Part No.	Size (PolyxPoly)	No. of Barbs	L		H		Weight grams
			in	mm	in	mm	
SSEL-075	3/4"x3/4"	6	2.00	50.8	2.00	50.8	115.7
SSEL-100	1"x1"	7	2.31	58.7	2.31	58.7	167.8
SSEL-100-075	1"x3/4"	7x6	2.31	58.7	2.23	56.6	154.2
SSEL-125	1-1/4"x1-1/4"	7	2.50	63.5	2.50	63.5	349.3
SSEL-150	1-1/2"x1-1/2"	9	3.06	77.7	3.06	77.7	445.9



SSTE SERIES - 304SS TEE

- Poly Insert Barb x Poly Insert Barb x Poly Insert Barb



DIMENSIONS							
Part No.	Size (AxBxC)	No. of Barbs	L		H		Weight grams
			in	mm	in	mm	
SSTE-075	3/4"x3/4"x3/4"	6	4.00	101.6	2.00	50.8	161.5
SSTE-100	1"x1"x1"	7	4.66	118.4	2.33	59.2	259.5
SSTE-100-075	1"x1"x3/4"	7x7x6 (AxBxC)	4.56	115.8	2.15	54.6	221.4
SSTE-125	1-1/4"x1-1/4"x1-1/4"	7	5.00	127.0	2.50	63.5	497.1
SSTE-150	1-1/2"x1-1/2"x1-1/2"	9	6.13	155.7	3.06	77.7	657.7

For more information on installation, adjustment, repair & operation, visit Boshart Knowledge Base at

SUPPORT.BOSHART.COM



BOSHART
INDUSTRIES

25 Whaley Avenue, PO Box 310, Milverton, ON CANADA N0K 1M0
Tel: 800-561-3164

boshart.com ♦ blog.boshart.com

© 2020 Boshart Industries Inc. All Rights Reserved.

BII-SSEL,SSTE-1123(2182)