



**Dearborn®
Brass**

4675 W. 160th St.
Cleveland, Ohio 44135
Ph: (800) 321-9532
Fax: (800) 321-9535
www.dearbornbrass.com

SUBMITTAL SPECIFICATION

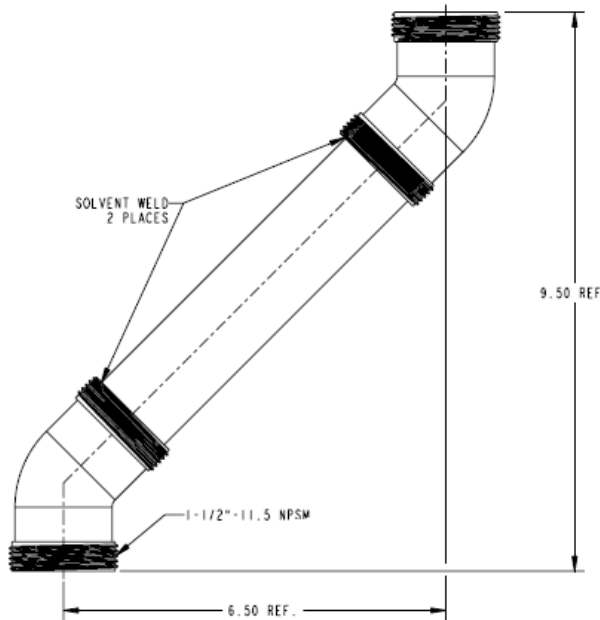
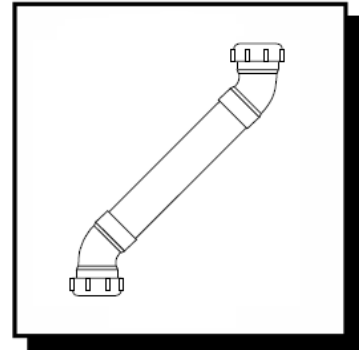
**PLASTIC TUBULAR
DOUBLE SLIP JOINT TRAP OFFSET**

Engineering Specification: Dearborn Brass Plastic Tubular Double Slip Joint Trap Offset is designed for use in tubular drain applications.

Job Reference

DESCRIPTION

- Made of plastic
- Plastic Tubular Trap Offset
 - Trap Offset
 - (2) Slip Joint Nuts
 - (2) Washers



✓	Product No.	Description	Carton Quantity	Carton Weight (lbs)
	P9046A	1-½" Double Slip Joint Trap Offset – White	25	9.7
	A9046A	1-½" Double Slip Joint Trap Offset – Black	25	9.7

Data is subject to manufacturing tolerances.