

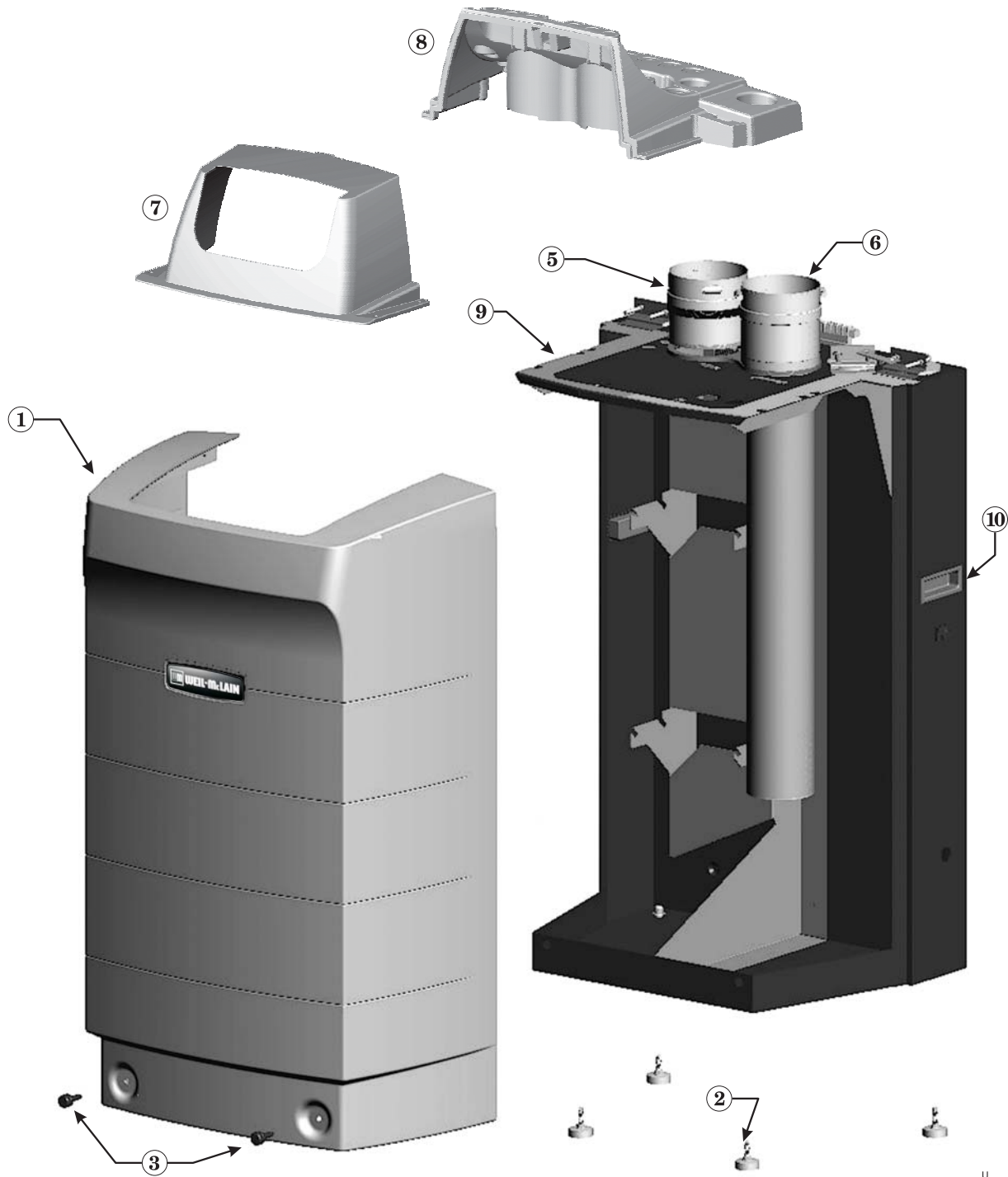
## Ultra Series 3/UE Natural to Propane Conversion

Sea Level to 5500 Feet Altitude		
Model	Description	Part Number
Ultra 80	LP orifice, LP burner, instructions, conversion label. Order separately if converting Natural gas boiler.	383-501-020
Ultra 105	LP Orifice, Instructions conversion label. Provided with boiler	383-500-001
Ultra 155	LP Orifice, Instructions conversion label. Provided with boiler	383-500-115
Ultra 230	LP Orifice, Instructions conversion label. Provided with boiler	383-500-120
Ultra 299	LP Orifice, Instructions conversion label. Provided with boiler	540-202-832
Ultra 310	LP Orifice, Instructions conversion label. Provided with boiler	540-202-831
Ultra 399	LP Orifice not provided. Adjustment made with Throttle screw. See Boiler Manual	NA
Above 5500 Feet Altitude		
Ultra 80	LP HA (high altitude) orifice. Requires Nat to LP conversion from above to replace natural burner with LP burner.	383-500-644
Ultra 105	LP Orifice, Instructions conversion label.	383-500-645
Ultra 155	LP Orifice, Instructions conversion label.	383-500-646
Ultra 230	LP Orifice, Instructions conversion label.	383-500-647
Ultra 299	LP Orifice, Instructions conversion label.	383-500-394
Ultra 310	LP Orifice, Instructions conversion label.	383-500-648
Ultra 399	LP Orifice not provided. Adjustment made with throttle screw. See Boiler Manual.	NA
Ultra Series 3/UE Propane to Natural Conversion		
Sea Level to 5500 Feet Altitude		
Ultra 80	Natural burner, instructions, conversion label. Order separately if converting LP gas boiler.	383-501-021

## Ultra Series 3/UE Miscellaneous Parts and Kits

Part No.	Description	Mfr.	Mfr's Part No.	Model
511-405-113	Boiler circulator, without flanges	Taco	007	Ultra-80 & -105
511-405-133	Boiler circulator, without flanges	Taco	0014	Ultra-155, -230, & -310
381-354-525	Circulator hardware kit – inlet, 1" (Includes: 1 flange, 2 nuts, 2 screws, and 1 gasket)			Ultra-80 to -230
381-354-526	Circulator hardware kit (flange, nuts, screws, and gasket) 1 1/4"			Ultra-80 to -310
381-354-531	Circulator hardware kit (flange, nuts, screws, and gasket) 1 1/2"			Ultra-310
383-500-350	Concentric vent kit			
383-500-631	Condensate neutralizer kit			
591-706-200	Heat exchanger cleaning tool			
383-500-605	Maintenance Kit (Includes: Igniter, igniter gasket, cover plate gasket, cover plate insulation, burner gasket, and venturi gasket)			Ultra-80 and -105
383-500-620	Maintenance Kit (Includes: Igniter, igniter gasket, cover plate gasket, cover plate insulation, burner gasket, and venturi gasket)			Ultra-155 and -310
383-500-095	Pressure relief valve, ASME 30 PSI, 3/4" N.P.T .male			
383-500-100	Vent/air termination plate (2 required for each boiler)			
383-500-105	Vent termination bird screen (2 required) 3" vent			Ultra-80, -105 & -155
383-500-110	Vent termination bird screen (2 required) 4" vent			Ultra-230 & -310
383-500-397	WM - PVC sidewall vent termination kit 3"			
383-500-398	WM - PVC sidewall vent termination kit 4"			
592-900-002	Corrosion inhibitor, 1 tube	Sentinel	X100	All
592-900-005	Inhibitor test kit, 2 tests	Sentinel		All
592-900-003	Boiler system cleaner/sludge remover	Sentinel	X400	All
592-900-004	Aluminum-safe Anti-freeze, 5 liter	Sentinel	X500	All
592-900-006	Aluminum-safe Anti-freeze, 5 gal.	Sentinel	X500	All

# Ultra Series 3/UE Jacket Parts

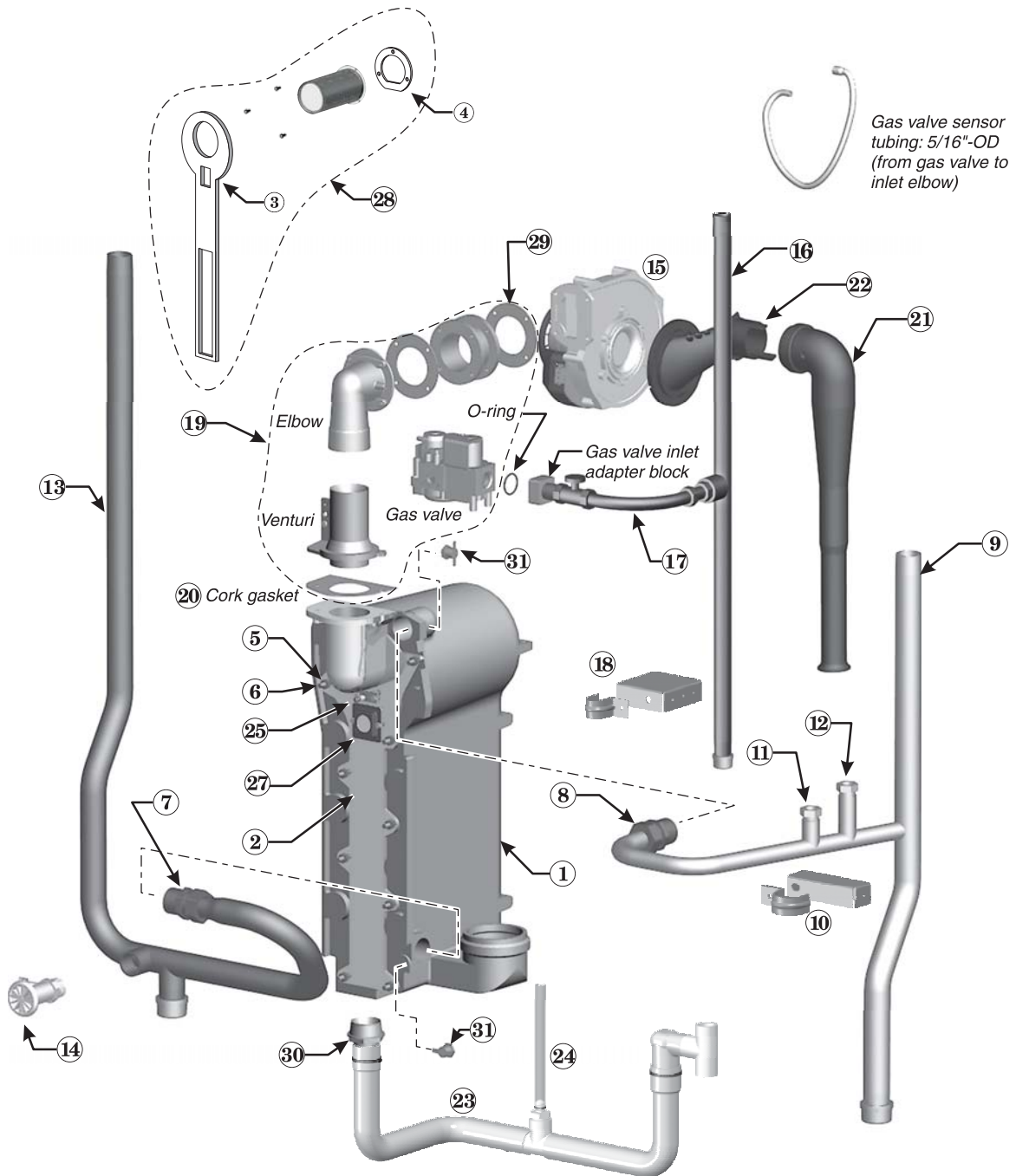


GAS

## Ultra Series 3/UE Jacket Parts

Fig. No.	Part No.	Description
1	383-500-135	Jacket front door
2	383-500-065	Boiler leg kit (4 Required)
3	383-500-320	Knurled heat screw for jacket front door (2 Required)
NS	383-500-180	Knurled heat screw clip-on receptacle (2 Required)
5	383-500-655	Air adapter assembly (Includes adapter, gasket and mounting bracket) (Ultra-80 & -105, 3" )
	383-500-145	Air adapter assembly (Includes adapter, gasket and mounting bracket) (Ultra-155, 3")
	383-500-150	Air adapter assembly (Includes adapter, gasket and mounting bracket) (Ultra-230 & -310, 4") 299, 399
6	560-900-001	Flue outlet pipe adapter (Ultra-80, -105, 3")
	383-500-656	Flue outlet pipe adapter (Ultra-155, 3")
	383-500-657	Flue outlet pipe adapter (Ultra-230, -310, 4") 299, 399
7	383-500-607	Top cover, front
8	383-500-608	Top cover, rear (Ultra-80 to -230)
	383-500-609	Top cover, rear (Ultra-310) 299, 399
9	383-500-610	Door Gasket replacement kit (not shown)
10	383-500-611	Handle (2 required)
	383-500-638	Electrical plug
	590-318-011	Flue sensor grommet
	592-800-022	3" Flue/Intake gasket, for 80, 105, 155
	592-800-023	4" Flue/Intake gasket for 230, 299, 310, 399
	590-318-007	70mm lower flue-way gasket for 80, 105
	590-318-003	80mm lower flue-way gasket for 155, 230
	590-318-004	100mm lower flue-way gasket for 299, 310, 399

# Ultra Series 3/UE (Ultra-80 and -105) Heat Exchanger and Piping



GAS

Gas valve sensor tubing: 5/16"-OD (from gas valve to inlet elbow)

## Ultra Series 3/UE (Ultra-80 and -105) Heat Exchanger and Piping

Fig. No.	Part No.	Description	Boiler Models
1	383-500-612	Heat Exchanger Replacement Kit - (Includes: Heat Exchanger, Cover Plate, Burner, Electrode, Water Sensors, Compression Fittings, Condensate Fitting, Gaskets, and Hardware)	Ultra-80NG
	383-500-613		Ultra-80LP
	383-500-614		Ultra-105
2	383-501-022	Cover Plate Replacement Kit - (Includes: Cover Plate, Cover Plate Gasket, Burner Gasket, and Hardware)	80-105
3	591-200-000	Cover Plate Gasket/Insulation	80-105
4	590-300-000	Burner Gasket	80-105
5	560-340-598	Cover Plate Studs, M6, 1 Pitch	All
6	561-928-449	Cover Plate Nuts, M6, 1 Pitch	All
7	383-500-260	Water Compression Fitting, 28 mm	80-105
8	564-100-002	Water Compression Fitting, 22 mm	80-105
9	383-501-036	Supply Water Pipe Assembly - (Includes: Pipe, Temperature Well, Check Valve, Cap (Assembled) and Compression Fitting)	80-105
10	383-500-615	Supply Water Lower Pipe Clamp and Hardware	80-105
11	383-500-270	1/2" Npt Well For Temperature Gauge	All
12	383-500-275	Pressure/Temperature Gauge Check Valve	All
13	383-501-037	Return Water Pipe Assembly - (Includes: Pipe, Drain Valve, Cap (assembled) and Compression Fitting)	80-105
14	511-246-392	Boiler Drain Valve, 3/4" N.P.T.	All
15	383-501-027	Blower Assembly Kit - (Includes: Blower, Gasket, and Hardware)	80-105
16	560-907-682	Gas Pipe	80-105
17	383-500-616	Flexible Gas Line Section And Shut-Off Valve	80-105
18	383-500-617	Gas Pipe Lower Pipe Clamp And Hardware	80-105
19	383-501-029	Gas Valve/Venturi Kit - (Includes: Gas Valve, Venturi, 90° Elbow, Gaskets, and Hardware (Assembled) (For LP boilers, make sure to reinstall the existing propane orifice)	80
	383-501-030		105
20	590-317-310	Gasket Cork, For In Between Gas Valve Venturi and Burner Inlet	All
21	383-501-026	Air Silencer Kit - Air Silencer and Gasket	80-105
22	383-501-025	Air Silencer Adapter Kit - Air Silencer Adapter and Hardware	80-105
23	383-500-618	Condensate Trap Kit - Condensate Trap, Hose Clamps, Pvc Fittings, and Gasket	80-105
24	560-743-031	Air Inlet Adapter Drain Tube	80-105
25	383-500-045	Ignition Electrode Kit - Ignition Electrode, Suppressor, Gasket, and Hardware	All
NS	383-500-619	Ignition Cable Kit - Ignition Cable, Suppressor, and Wire Tie	All
27	383-500-020	Inspection Glass Kit - Bracket, Glass, Gasket and Hardware	All
28	383-501-032	Burner Replacement Kit - Burner, Gaskets and Hardware	Ultra-80NG
	383-501-033		Ultra-80LP
	383-501-034		Ultra-105
29	590-300-003	Gasket Rubber, Blower	80-105
30	561-200-000	Condensate Fitting	80-105
31	383-500-602	Return/Supply Sensor Kit - (1) Sensor	All
NS	383-600-009	Gas valve "O" ring, includes 10 "O" rings	All
NS	590-317-310	Cork gasket, goes between gas valve and blower	All

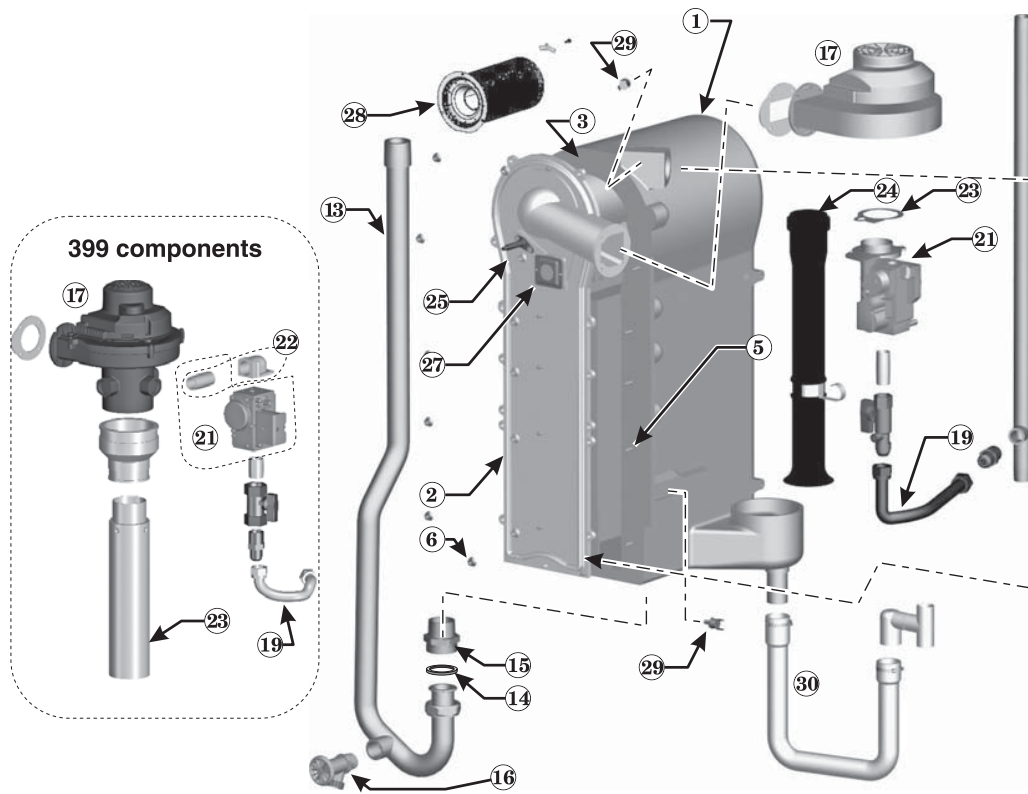


## Ultra Series 3/UE (Ultra-155 and -230) Heat Exchanger and Piping

Fig. No.	Part No.	Description	Boiler Model
1	383-500-621	Heat Exchanger Replacement Kit - (Includes: Heat exchanger, cover plate, burner, electrode, water sensors, compression fittings, condensate fitting, gaskets, and hardware)	155
	383-500-622		230
2	383-500-395	Cover Plate Replacement Kit - (Includes: Cover plate, cover plate gasket, burner gasket, and hardware)	155,230
3	383-500-250	Cover Plate Insulation	155,230
4	383-500-255	Cover Plate Gasket	155,230
5	560-340-598	Cover Plate Studs, M6, 1 pitch	All
6	561-928-449	Cover Plate Nuts, M6, 1 pitch	All
7	383-500-260	Water Compression Fitting, 28 mm	155,230
8	383-501-036	Supply Water Pipe Assembly - (Includes: Pipe, temperature well, check valve, cap (assembled) and compression fitting)	155,230
9	383-500-615	Supply Water Lower Pipe Clamp and Hardware	155,230
10	383-500-270	1/2" NPT well for temperature gauge	All
11	383-500-275	Pressure/Temperature Gauge Check Valve	All
12	383-500-280	Return Water Bushing, 1 1/4" BSP x 1" BSP (not use on Ultra-310)	155,230
13	383-500-285	Return Water Pipe Assembly - (Includes: Pipe, drain valve, cap (assembled) & compression fitting)	155,230
16	511-246-392	Boiler Drain Valve, 3/4" N.P.T.	All
17	383-500-035	Blower Assembly Kit - Blower, gasket, and hardware	155
	383-500-040		230
18	560-907-683	Gas Pipe	155,230
19	383-500-624	Flexible Gas Line Section And Shut-Off Valve	155,230
20	383-500-617	Gas Pipe Lower Clamp And Hardware	155,230
21	383-500-025	Gas Valve/Venturi Kit - (Includes: Gas valve, venturi, adapter block, O-ring and hardware (assembled) make sure to reinstall the existing propane orifice)	155
	383-500-030		230
22	590-317-310	Gasket Cork, for in between gas valve venturi & burner inlet	All
23	383-500-295	Air Silencer Kit - (Includes: Air silencer and gasket)	155,230
24	383-500-060	Condensate Trap Kit - (Includes: Condensate trap, hose clamps, PVC fittings, and gasket)	155, 230
25	383-500-045	Ignition Electrode Kit - (Includes: Ignition electrode, suppressor, gasket, and hardware)	All
NS	383-500-619	Ignition Cable Kit - (Includes: Ignition cable, suppressor, and wire tie)	All
27	383-500-020	Inspection Glass Kit - (Includes: Bracket, glass, gasket and hardware)	All
28	383-500-085	Burner Replacement Kit - (Includes: Burner, gaskets and hardware)	155
	383-500-090		230
29	383-500-602	Return/Supply Sensor Kit - (1) sensor	All
NS	383-600-009	Gas valve "O" ring, includes (10) "O" rings	All
NS	383-500-660	Burner screw/tab kit, includes 3 burner screws and 3 tabs	All
NS	590-318-006	Rubber gasket for inducer discharge to heat exchanger	All
NS	590-317-310	Cork gasket, goes between gas valve venture and blower	All
NS	561-326-828	Fitting, double nipple for supply/return,	Ultra-310
NS	383-600-009	Gas Valve "o" ring (10 per bag)	All



# Ultra Series 3/UE (Ultra-299, 310, 399) Heat Exchanger and Piping



GAS

## Ultra Series 3/UE (Ultra-299, 310, 399) Heat Exchanger and Piping

Fig. No.	Part No.	Description	Boiler Model
1	383-500-623	Heat Exchanger Replacement Kit - (Includes: Heat exchanger, cover plate, burner, electrode, water sensors, compression fittings, condensate fitting, gaskets, and hardware)	299/399
2	383-500-395	Cover Plate Replacement Kit - (Includes: Cover plate, cover plate gasket, burner gasket, and hardware)	299/399
3	383-500-250	Cover Plate Insulation	299/399
4	383-500-255	Cover Plate Gasket	299/399
5	560-340-598	Cover Plate Studs, M6, 1 pitch	All
6	561-928-449	Cover Plate Nuts, M6, 1 pitch	All
8	383-500-380	Supply Water Pipe Assembly - (Includes: Pipe, temperature well, check valve, cap (assembled) & compression fitting)	299/399
10	383-500-270	1/2" N.P.T. Well For Temperature Gauge	All
11	383-500-275	Pressure/Temperature Gauge Check Valve	All
13	383-500-385	Return Water Pipe Assembly - (Includes: Pipe, drain valve, cap (assembled) & compression fitting)	299/399
14	562-248-743	Supply/Return Water Piping Square Cut EDPM Gasket	299/399
15	561-326-828	Fitting, Double Nipple For Supply/Return	299/399
16	511-246-392	Boiler Drain Valve, 3/4" NPT	All
17	383-500-360	Blower Assembly Kit - Blower, gasket, and hardware	299
	383-500-650		399
18	560-907-679	Gas Pipe	299/399
19	560-900-016	Flexible Gas Line Section And Shut-Off Valve	299
	383-500-653		399
20	383-500-625	Gas Pipe Lower Clamp And Hardware	299
21	383-500-390	Gas Valve/Venturi Kit - (Includes: Gas valve, venturi, adapter block, O-ring and hardware )(assembled) (For 310LP boilers, make sure to reinstall the existing propane orifice)	299
	383-500-652	Gas Valve Kit - (Includes: gas valve, venturi, and burner inlet)	399
22	383-500-651	Gas valve outlet adapter/nipple kit	399
23	590-317-310	Gasket Cork, for in between gas valve venturi & burner inlet	All
24	383-500-355	Air Silencer Kit - (Includes: Air silencer and gasket)	299
	383-500-654		399
25	383-500-045	Ignition Electrode Kit - (Includes: Ignition electrode, suppressor, gasket, and hardware)	All
	511-330-253	Ignition Electrode gasket Only	
26	383-500-619	Ignition Cable Kit - (Includes: Ignition cable, suppressor, and wire tie)	All
27	383-500-020	Inspection Glass Kit - (Includes: Bracket, glass, gasket and hardware)	All
28	383-500-407	Burner Replacement Kit - (Includes: Burner, gaskets and hardware)	299
29	383-500-602	Return/Supply Sensor Kit - (1) sensor	All
30	383-500-626	Condensate Trap Kit - (Includes: Condensate trap, hose clamps, pvc fittings, and gasket)	299, 399
NS	383-600-009	Gas Valve "o" Rings (10 per bag)	All

# Ultra Series 3/UE Controls



GAS

## Ultra Series 3/UE Controls

Fig. No.	Part No.	Description
1	383-500-658	Ultra U-Control Module
2	383-500-628	Transformer, 120v/24v
3	383-500-659	Display Board Assembly (Includes: plastic and display screen)
4	383-500-205	On/Off Power Switch
5	383-500-630	Pressure/Temperature Gauge Assembly (Includes: temperature and pressure sensor)
6	383-500-600	Flue Temperature Sensor Replacement Kit
7	383-500-601	System Temperature Sensors (2 Required)
8	510-312-218	Outdoor Temperature Sensor
NS	383-500-633	Display To U-Control Wire Harness
NS	383-500-634	Upper Line Voltage Wire Harness (Male)
NS	383-500-635	Lower Line Voltage Wire Harness (Female)
NS	383-500-636	Upper Low Voltage Wire Harness (Male)
NS	383-500-637	Lower Low Voltage Wire Harness (Female)
NS	383-500-638	120 Volt, 3-Wire Receptacle
NS	383-500-603	Ultra U-Control Module Fuses F - 3-amp, fast-blow ATO (5 fuses)
NS	383-500-604	Ultra U-Control Module Fuses F - 12-amp, slow-blow AG (5 fuses)
NS	383-500-641	Jumper For Low Voltage Terminal Blocks, (5 jumpers)
NS	383-500-642	Ultra U-Control Terminal Block Kit, (Includes: 1 high voltage terminal block, 6 low voltage terminal blocks, and U-control screwdriver)
NS	511-100-005	24-V LWCO Kit With Quick Connect Harness