



4675 W. 160th St.
Cleveland, Ohio 44135
Ph: (800) 321-9532
Fax: (800) 321-9535
www.dearbornbrass.com

SUBMITTAL SPECIFICATION

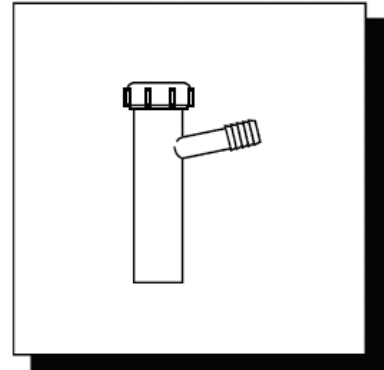
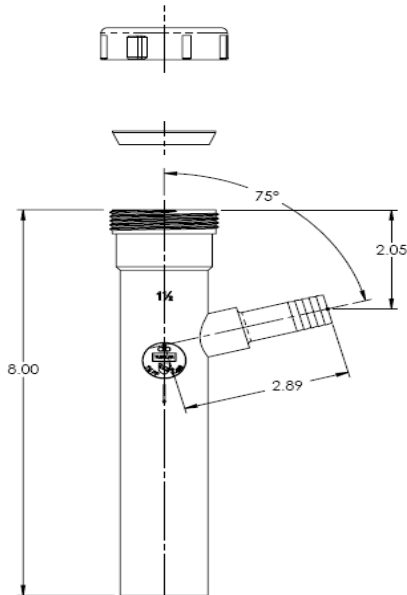
**PLASTIC TUBULAR
BRANCH TAILPIECE – SLIP JOINT TOP**

Engineering Specification: Dearborn Brass Plastic Tubular Branch Tailpiece with Slip Joint Top is designed for use in tubular drain applications. Options include ½" or ¾" Branch and True Blue Premium Washer for superior sealing. Available in white or black polypropylene plastic.

Job Reference

DESCRIPTION

- Made of polypropylene plastic
- Plastic Tubular Branch Tailpiece
 - Branch Tailpiece
 - (1) Slip Joint Nut
 - (1) Washer



- Meets ASTM F 409
- IAPMO Listed



✓	Product No.	Description	Carton Quantity	Carton Weight (lbs)
	PP9816	1-½" x 8" Branch Tailpiece, Slip Joint Top with ½" Branch – White	25	4.6
	AP9816	1-½" x 8" Branch Tailpiece, Slip Joint Top with ½" Branch – Black	25	4.4
	PP9817	1-½" x 8" Branch Tailpiece, Slip Joint Top with ¾" Branch – White	25	4.4
	AP9817	1-½" x 8" Branch Tailpiece, Slip Joint Top with ¾" Branch – Black	25	4.3
	PP9816W	1-½" x 8" Branch Tailpiece, Slip Joint Top with ½" Branch and True Blue Premium Washer – White	25	4.6
	AP9816W	1-½" x 8" Branch Tailpiece, Slip Joint Top with ½" Branch and True Blue Premium Washer – Black	25	4.4
	PP9817W	1-½" x 8" Branch Tailpiece, Slip Joint Top with ¾" Branch and True Blue Premium Washer – White	25	4.4
	AP9817W	1-½" x 8" Branch Tailpiece, Slip Joint Top with ¾" Branch and True Blue Premium Washer – Black	25	4.3

Data is subject to manufacturing tolerances.