

STERLING®

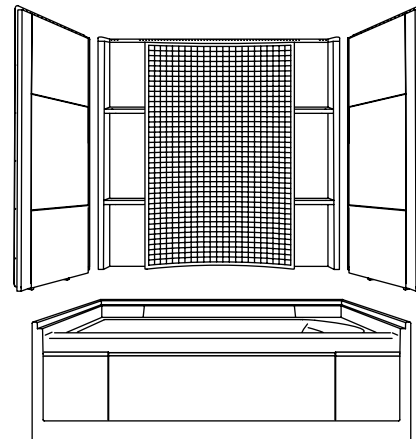
A KOHLER COMPANY

ACCORD™

Features

- Compression molded from our exclusive solid Vikrell® material
- Pivot "snap together" installation
- Modular 4-piece design
- Integral apron with removable access panel
- Durable high-gloss finish
- Pump with air switch and grounding-type plug-in cord
- 10-year consumer/3-year commercial limited warranty
- 1-year limited warranty pump motor assembly
- 8 Jets
- 20" (50.8 cm) whirlpool depth (floor to top of threshold)
- 60" (152.4 cm) x 37-1/4" (94.6 cm) x 77-1/2" (196.9 cm) complete unit rough-in dimensions include flange
- 60" (152.4 cm) x 36" (91.4 cm) x 76-1/4" (193.7 cm) complete unit finished dimensions

60" (152.4 cm) WHIRLPOOL AND WALL SURROUND
76160110
 ALSO 76160120



Codes/Standards Applicable

Specified model meets or exceeds the following:

- ASME A112.19.7M
- ASME A112.19.8M
- ASTM E162
- ASTM E662
- ANSI Z124.1.2
- UL 1795

Colors/Finishes

- 0: White
- Other: Refer to Price Book for additional colors/finishes

Specified Model

Model	Complete Unit Description	Colors/Finishes	
76160110	60" (152.4 cm) whirlpool and wall surround with left drain	<input type="checkbox"/> 0	<input type="checkbox"/> Other _____
76160120	60" (152.4 cm) whirlpool and wall surround with right drain	<input type="checkbox"/> 0	<input type="checkbox"/> Other _____

Technical Information

Fixture*:	
Bathing well:	
Basin area	22-7/8" (58.1 cm) x 46" (116.8 cm)
Top area	24-7/8" (63.2 cm) x 50-7/8" (129.2 cm)
To overflow:	
Water depth	15-1/8" (38.4 cm)
Capacity	70 gal (263.5 L)
* Approximate measurements for comparison only.	

Pump:	V	Hz	A
1-speed	120	60	7.5

Model	Door maximum width	Door maximum height
76160110 76160120	56-3/4" (144.1 cm)	55-7/8" (141.9 cm)

Required Electrical Service

Dedicated circuit required, protected with Class A Ground-Fault Circuit-Interrupter (GFCI):	
Pump	120 V, 15 A, 60 Hz

Installation Notes

Install this product according to the installation guide.

Pump is supplied with a grounding type plug-in cord. Locate the outlet behind the whirlpool, and within 24" (61 cm) of the pump.

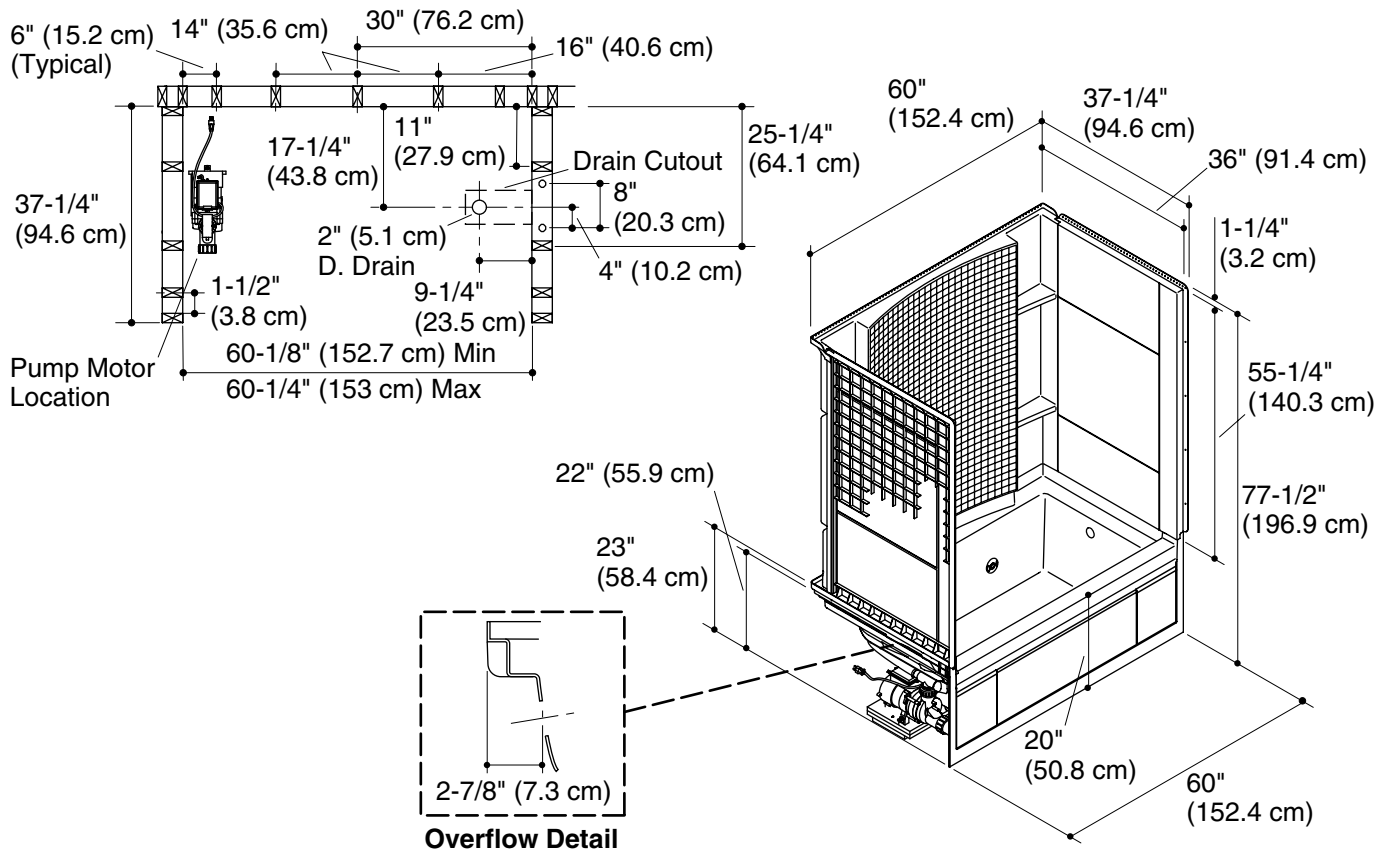
Do not disassemble the pump or piping as this could void the warranty.

Size the drain cutout to fit the drain assembly that will be used.

Stud positioning is critical.

Studs should be positioned roughly as shown for support clip or roofing nail installation.

Bath cannot be installed without the wall surround.



Product Diagram