



**Kathryn®**  
Elongated Toilet Seat  
**K-4701-CP**

**Features**

- Molded wood seat and lid.
- Metal hinges.
- Polished Chrome hinges.
- Elongated closed-front.
- Ergonomically contoured seat and lid for user comfort.
- Exclusive seat design for K-3324 and K-3484 Kathryn toilets.



**Codes/Standards**




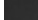
IAPMO/ANSI Z124.5

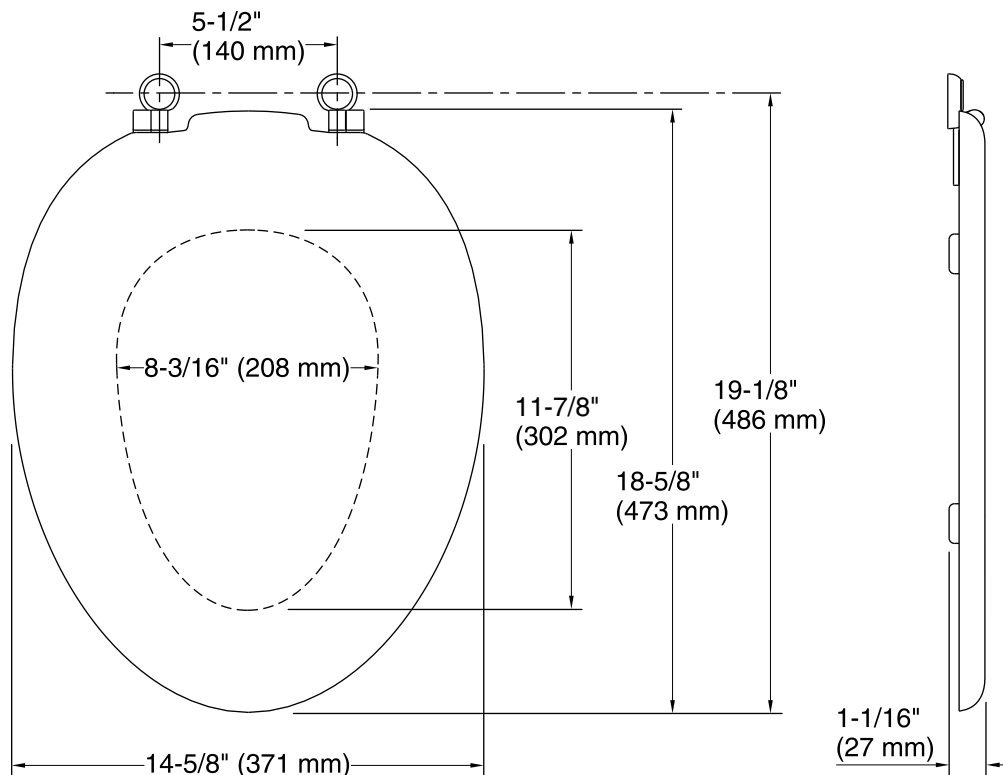
**KOHLER® One-Year Limited Warranty**

See website for detailed warranty information.

**Available Color/Finishes**

*Color tiles intended for reference only.*

Color	Code	Description
	0	White
	96	Biscuit
	NY	Dune
	7	Black Black™



### Technical Information

All product dimensions are nominal.

Seat shape type: Elongated

Seat front type: Closed front

Seat-mounting holes: 5-1/2" (140 mm)

### Notes

Install this product according to the installation guide.