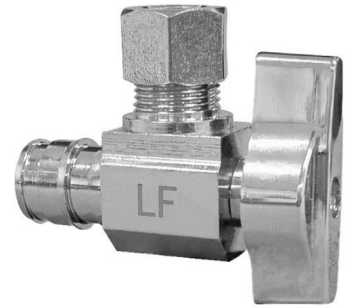


## Product Features

- Type Angle
- 1/4 Turn
- Lead Free
- One Piece Body
- Brass Stem
- Chrome Plated Brass Body
- Chrome Plated Die Cast Zinc Handle
- Pressure Rating: 125 PSI
- Temperature Rating: 40°F - 140°F
- cUPC, NSF/ANSI 61 and 372 Approved
- 1/2" Cold Expansion PEX F1960 x 3/8" OD Comp
- Application Residential, Commercial, Water

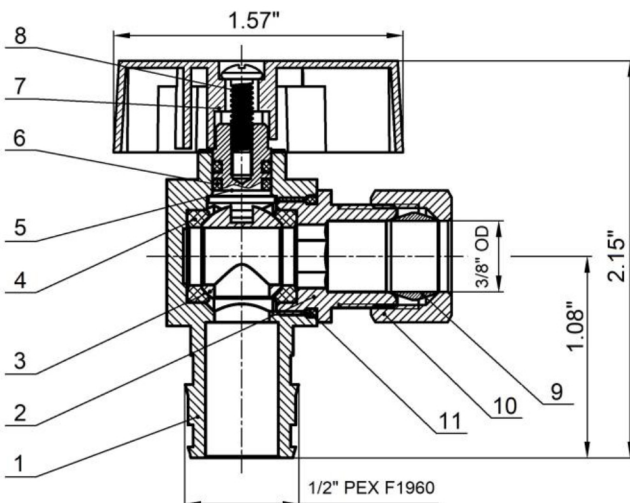


## Model Numbers

4PRO12.38ASPEX

1/2" CE PEX F1960 x 3/8" OD Comp LF 1/4 Turn Angle Stop CP

## Drawing



No.	Part	Material	QTY
1	Body	C46500 Brass	1
2	Bonnet	C46500 Brass	1
3	Ball	C46500 Brass	1
4	Seal Seat	PTFE	2
5	Stem	Brass	1
6	O-Ring	NBR	2
7	Handle	Zinc Alloy	1
8	Screw	Stainless Steel	1
9	Cutting Sleeve	Brass	1
10	Nut	Brass	1
11	O-Ring	NBR	1