

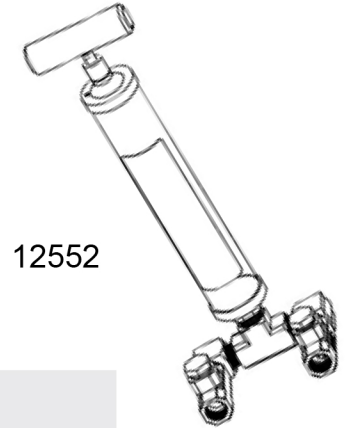
Westwood
by Beckett

**"EASY ANGLE" PRESSURE &
VACUUM HAND PUMPS**

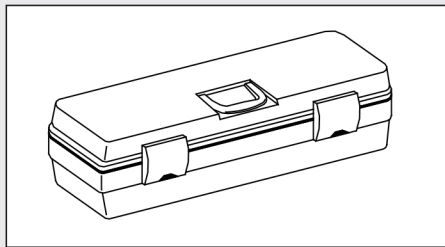
Hand operated piston pumps for use with liquids and air. Ideal for clearing plugged oil lines, priming pumps, transferring liquids, and adding chemicals to boilers.

- ▶ Unique "EASY ANGLE" 120° valve angle makes connections easy
- ▶ Comfortable "T" handle
- ▶ Quick-connect hose set attaches to hand pump using no tools!

3/8" NPT Fittings
100 PSI max
27" Hg vacuum



12552



T30-6

CARRYING CASE FOR T30

<i>Item No.</i>	<i>Description</i>
<i>T30/12552</i>	<i>Standard hand pump w/1/8"- NPT center access port</i>
<i>T30-6</i>	<i>Plastic carrying case for T30 hand pump, fittings and hoses</i>
<i>12410</i>	<i>Inline check valve 3/8" FPT X 3/8" FPT</i>
<i>12551</i>	<i>Handpump only- less fittings, less hose kit</i>
<i>12562</i>	<i>Hosekit for handpump- complete</i>
<i>12561</i>	<i>Hosekit for handpump- less adapters</i>
<i>12552</i>	<i>Handpump o-ring</i>
<i>12553</i>	<i>Handpump replacement handle</i>

The Handpump is a combination pressure and vacuum handpump for air or liquids. Use to clean lines, free stuck valves, prime pumps, build up test pressure or vacuum in lines and tanks. The two-way pump assembly has a solid brass barrel and is fitted with two check valves to attach directly onto lines, use with extension tubing, or pipe permanently into a system. It is also furnished (12551) without the valves. The handpump hose kit contains flexible reinforced hoses plus all the fittings necessary to add chemicals to boiler, clean lines, free stuck valves, prime pumps, and to build up test pressure or vacuum in lines and tanks. Fittings are designed to be hand-tightened and easy to use.

T5