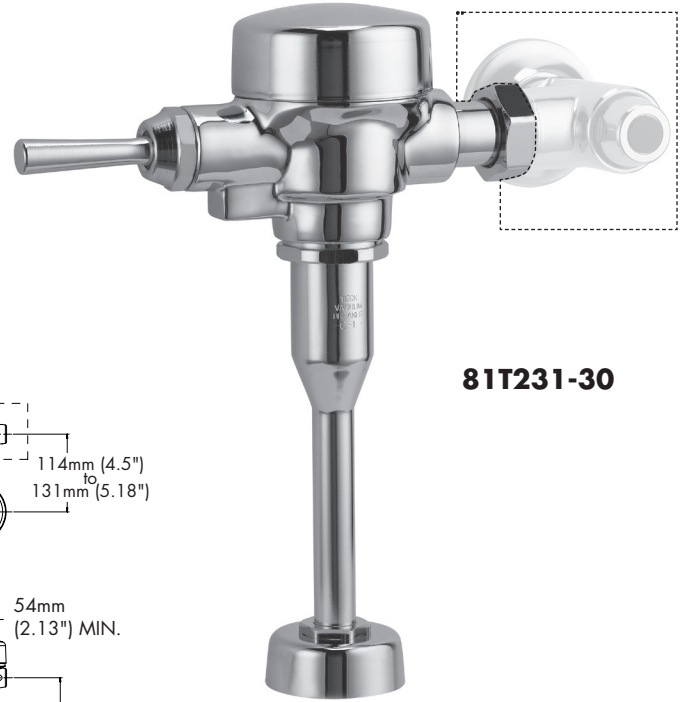


**Specification: (example)**
**(FOR TOP INLET URINAL FIXTURE)  
LESS STOP, WITH MODIFIED TAIL TO FIT SLOAN<sup>®</sup>/ZURN<sup>®</sup> STOP**

- Quiet action, TECK<sup>®</sup> exposed diaphragm flush valve
- Chloramine resistant diaphragm
- Forged brass diaphragm retainer
- Renewable seat
- Polished chrome plated finish
- **External water conserving flush volume adjustment,** factory set 1.9 litre (0.50 gal.)
- Vandal resistant cover screw
- Metal "non hold open" handle
- Adjustable 114mm (4.5") to 131mm (5.18") inlet/valve outlet centers
- Vacuum breaker
- Spud flange and spud nut


**81T231-30**
**FOR 3/4" TOP INLET URINAL FIXTURE**
 **81T231-30**

As above

 **81T231-30-38**

 Same as 81T231-30, but set to 3.8 litre (1.0 gal.),  
**Not Field Adjustable**
 **81T231-30-19**

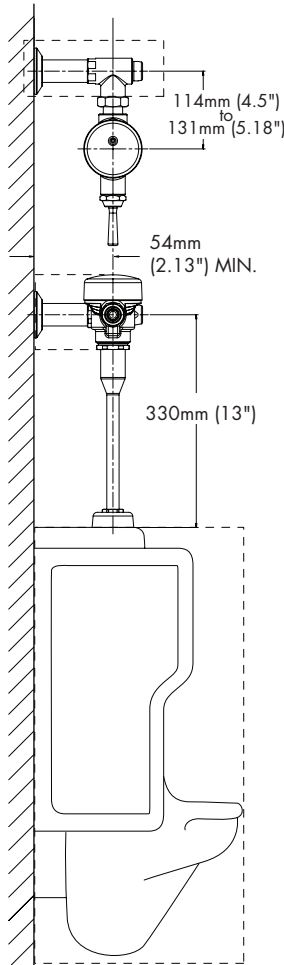
 Same as 81T231-30, **Not Field Adjustable**

 **81T231-30-05**

 Same as 81T231-30, but set to 0.5 litre (0.125 gal.),  
**Not Field Adjustable**

**OPTIONS AVAILABLE  
(for Field Conversion):**
 **060253A**

3/4" x 19-1/2" VB Tube (for 81T231 Series)



**Items shown outlined  
by dotted lines supplied  
by others.**


**Approvals:**

- IAPMO listed to CSA B125.3 and ASSE 1037
- Indicates compliance to ICC/ANSI A117.1

(Contact Delta Representative for State and/or Local Approvals.)

**Engineer/Architect Approval**

Model Specified:

Approval:

Date:

 Note: Measurements may vary  $\pm$  6mm (0.25")

Note: For high and low pressure applications, please see page FEA-81T High Water Pressure note for more details.  
Verify flow requirements with bowl manufacturer.