

Features

- Washout urinal
- 3/4" (19 mm) top spud
- 1 pint or 0.125 gpf (0.47 lpf)
- Includes inlet and outlet spuds and hangers
- Includes anti-backsplash wall
- 14-3/4" (375 mm) extended rim

Material

- Vitreous china

Included Components

Additional Components:

- 2" outlet spud
- 3/4" inlet spud
- Hanger(s)



ADA

Codes/Standards




ASME A112.19.2/CSA B45.1
DOE - Energy Policy Act 1992
EPA WaterSense™
California Energy Commission (CEC)
ADA
ICC/ANSI A117.1

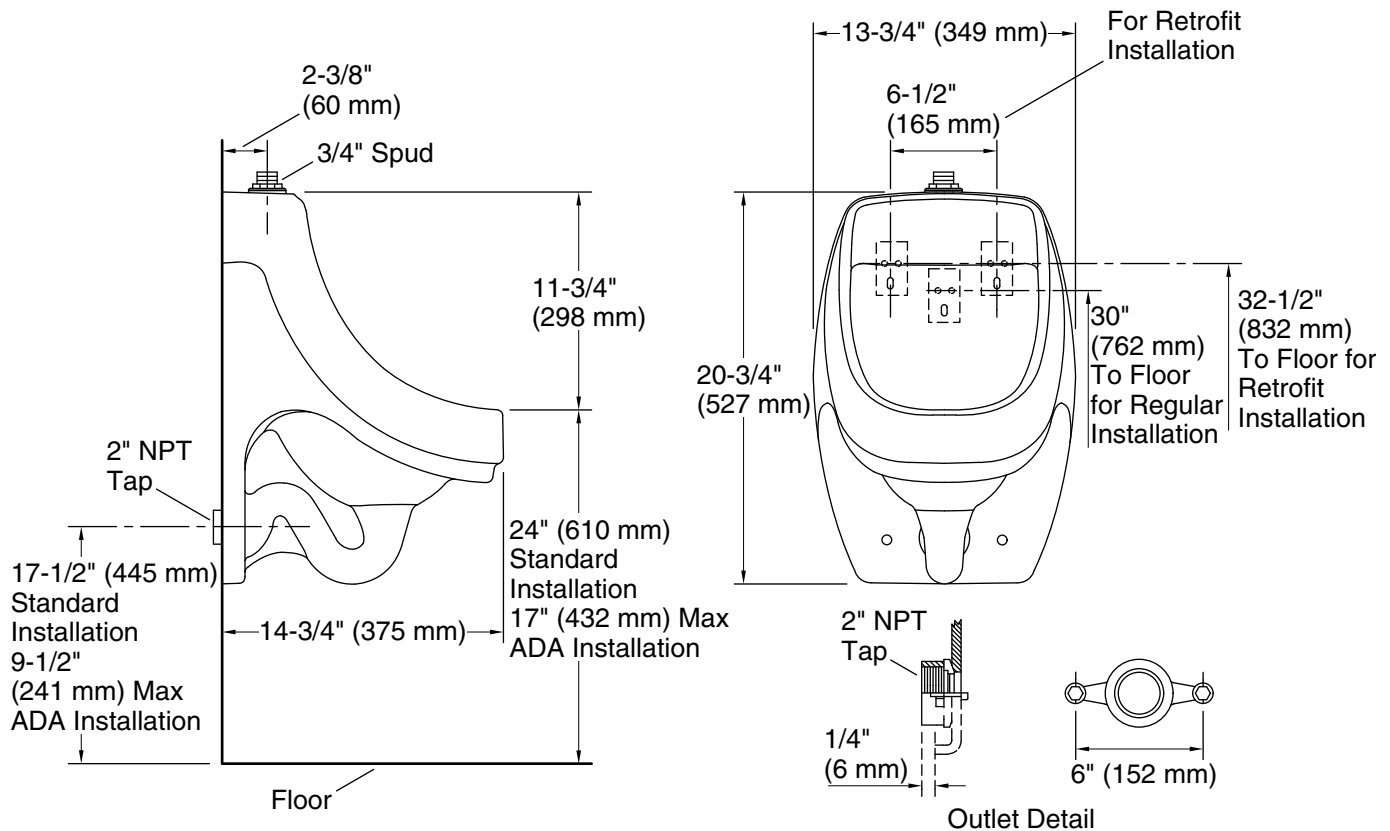
KOHLER® One-Year Limited Warranty

See website for detailed warranty information.

Available Colors/Finishes

Color tiles intended for reference only.

Color	Code	Description
	0	White
	96	Biscuit
	7	Black Black™



Technical Information

All product dimensions are nominal.

Flush outlet technology:	Washout
Spud size:	3/4", Inlet, Top
Max. Water per Flush:	0.125 gal (0.5 L)

Pressure and Supply Requirements

Fixture pressure min (static):	25 psi (172.4 kPa)
Fixture pressure max (static):	80 psi (551.6 kPa)

Notes

Install this product according to the installation instructions.

Recommended ADA outlet spud height will account for normal product variation.

For ADA compliance, measurement must be 17" (432 mm) or less from the floor to the top of the lip.

ADA compliant when installed to the specific requirements of these regulations.