

### Features

- Includes valve trim with handle, bath spout, showerarm and flange, and showerhead.
- Single handle controls both on/off activation and temperature setting.
- Integrated push button diverter.
- Coordinates with Loure faucets and accessories to complete your bathroom.
- Pressure-balancing diaphragm technology maintains outlet temperature within +/-3 degrees Fahrenheit during water pressure fluctuations
- Showerhead features MasterClean™ sprayface for easy cleaning.
- For use with any KOHLER showerhead (not supplied).

### Material

- "Premium material construction with metal handle ensures reliability and durability."
- KOHLER finishes resist corrosion and tarnishing

### Installation

- Trim set requires valve to complete installation.

### Required Accessories

K-11748 Series Rite-Temp® Valves

### Optional Accessories

1139260 Deep Rough-In Kit



### Codes/Standards




ASME A112.18.1/CSA B125.1

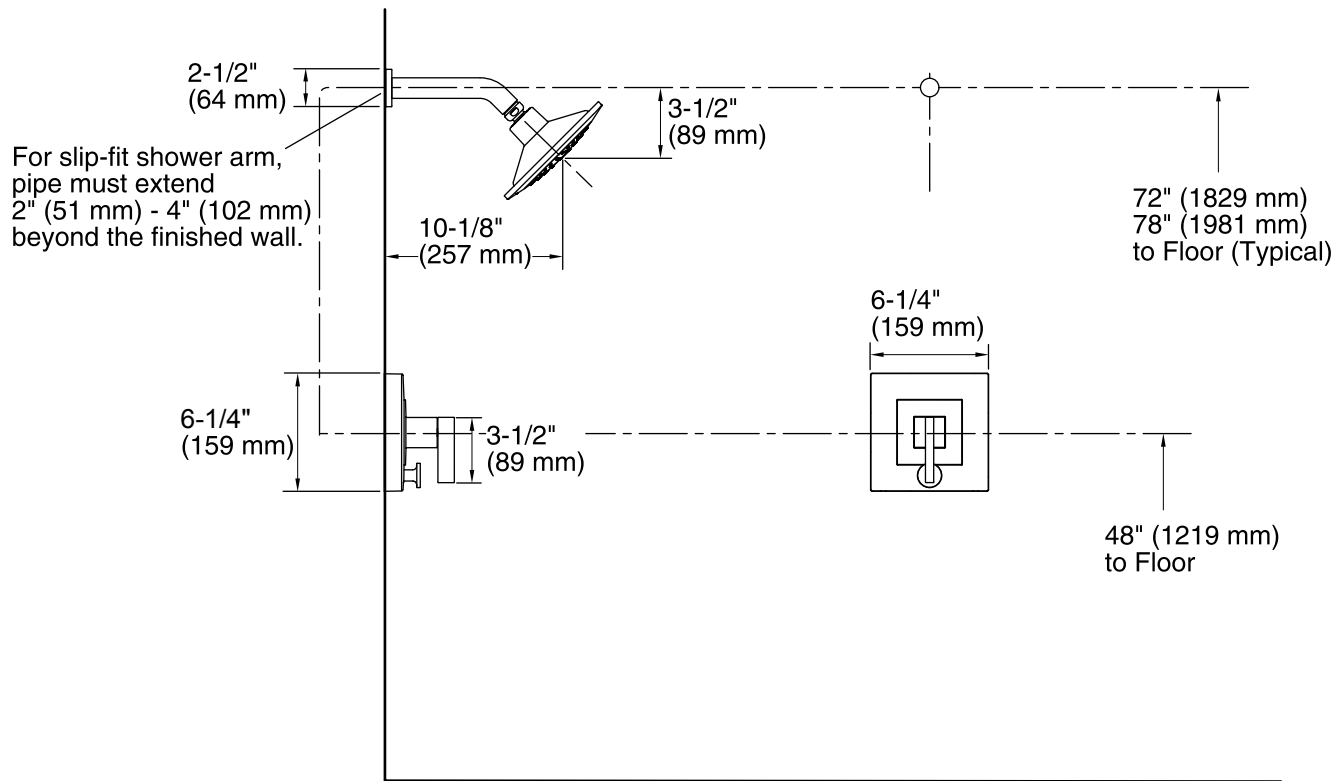
### KOHLER® Faucet Lifetime Limited Warranty

See website for detailed warranty information.

### Available Color/Finishes

*Color tiles intended for reference only.*

Color	Code	Description
	CP	Polished Chrome
	SN	Vibrant® Polished Nickel
	BN	Vibrant® Brushed Nickel



### Technical Information

All product dimensions are nominal.

### Notes

Install this product according to the installation guide.

Avoid cross-flow conditions. Do not install a shut-off device on either valve outlet.