



**Dearborn®
Brass**

4675 W. 160th St.
Cleveland, Ohio 44135
Ph: (800) 321-9532
Fax: (800) 321-9535
www.dearbornbrass.com

SUBMITTAL SPECIFICATION

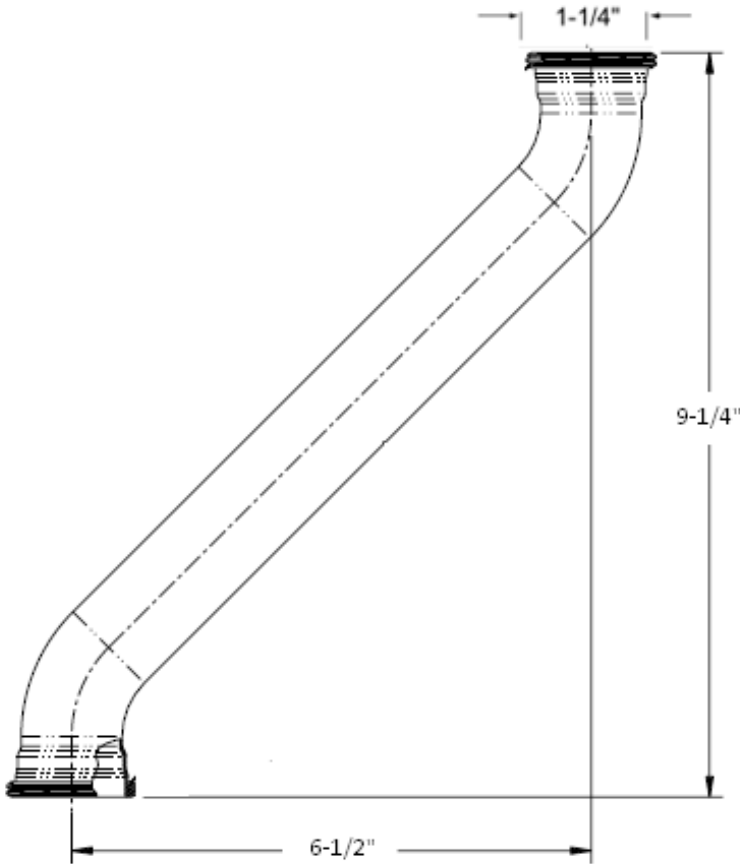
**BRASS TUBULAR
1-1/4" DOUBLE SLIP JOINT TRAP OFFSET**

Engineering Specification: Dearborn Brass 1-1/4" Brass Tubular Double Slip Joint Trap Offset is designed for use in tubular applications. Available in 17 or 20 Gauge Brass. Options include Brass Nuts.

Job Reference

DESCRIPTION

- Chrome Finish
- 1-1/4" Double Slip Joint Trap Offset
 - Trap Offset
 - (2) Nuts
 - (2) Rubber Washers



✓	Product No.	Description	Carton Quantity	Carton Weight (lbs)
	1046-1	1-1/4" Double Slip Joint Trap Offset – 20 Gauge	5	4
	1046-17BN-1	1-1/4" Double Slip Joint Trap Offset with Brass Nuts – 17 Gauge	5	4

Data is subject to manufacturing tolerances.