

## Manifold Supply and Return Ball Valves

Submittal Information  
Revision D: May 10, 2013

### Project Information

Job Name:

Location:

Part No. Ordered:

Engineer:

Date Submitted:

Contractor:

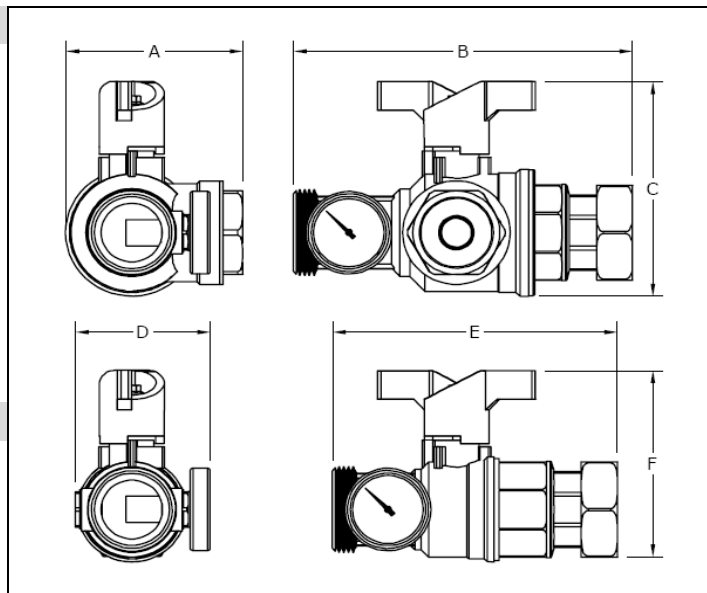
Submitted By:

Manufacturer's Representative:

Approved By:

### Technical Data

Material:	UNS C38500 Brass
Maximum Working Temperature/Pressure:	220°F (104°C) at 145 psi
Connection:	R32
C <sub>v</sub> Values:	
A2631250	Supply: 15.6 Return: 38.5
A2631251	Supply: 38.5 Return: 38.5
A2631252	Supply: 23.8 Return: 23.8



### Product Information and Application Use

Uponor Manifold Supply and Return Ball Valves are R32 male by R32 female that fit directly on Uponor TruFLOW™ and Engineered Polymer (EP) Heating Manifolds. A2631250 and A2631251 come standard with a temperature gauge for easy visual check of supply temperatures. A2631250 also features a built-in filter ball which has isolation within the valve to facilitate cleaning of the filter.

### ✓ Description

	Part Number	A	B	C	D	E	F	Weight
Manifold Supply and Return Ball Valves with Filter and Temperature Gauge, set of 2	A2631250	3.20"	6.00"	3.80"	2.70"	5.00"	3.50"	5.50 lbs.
Manifold Supply and Return Ball Valves with Temperature Gauges, set of 2	A2631251	N/A	N/A	N/A	2.70"	5.00"	3.50"	4.450 lbs.
Manifold Supply and Return Ball Valves, set of 2	A2631252	N/A	N/A	N/A	2.25"	2.75"	3.02"	2.875 lbs.

### Installation

Thread the supply ball valve into the supply manifold and the return ball valve into the return manifold. Close the valve and unscrew the filter inspection lid to clean the filter ball (if applicable). Remove the clip that holds the filter and remove the filter. Remove debris from the filter and reinsert the filter in its seat. Tighten the lid and re-open the valve. Use silicone oil as required. Accessories: Temperature Gauge with Well, replacement part (A2610120).

### Standards

ASTM F877

### Codes

N/A

### Listings

NSF-rfh; R32: ISO 228-G 1¼; ISO 228-G 1¼" B

### Related Applications

Radiant Heating and Cooling Systems

### Contact Information

Uponor, Inc.  
5925 148<sup>th</sup> Street West  
Apple Valley, MN 55124 USA  
Phone: 800.321.4739  
Fax: 952.891.2008  
www.uponorpro.com

Uponor Ltd.  
2000 Argentia Road, Plaza 1, Suite 200  
Mississauga, ON L5N 1W1 CANADA  
Phone: 888.994.7726  
Fax: 800.638.9517  
www.uponorpro.com