

Features

- Fits minimum 36-inch apron sink base cabinet.
- 9-1/2"-deep single bowl.
- Matte finish offers rich, dimensional color.
- Solid color throughout the sink.
- Scratch, stain, chip, and thermal-shock resistant.
- Offset drain increases workspace in the sink and storage space underneath.

Material

- KOHLER Neoroc® composite is durable and built to withstand day-to-day cleaning tasks.
- Heat resistant up to 750°F.

Installation

- Undermount.
- No faucet holes.
- Self-Trimming® apron overlaps the cabinet face for easy installation.

Recommended Products/Accessories

- K-8801 Sink Strainer
- K-8799 Sink Strainer

Optional Products/Accessories

- K-11352 Disposal Flange with Stopper
- K-9000 P-Trap

Included Components

Additional Components:

- K-26026 Farmhouse kitchen sink towel hook
- K-30182 Bottom sink rack



Codes/Standards




CSA B45.5/IAPMO Z124

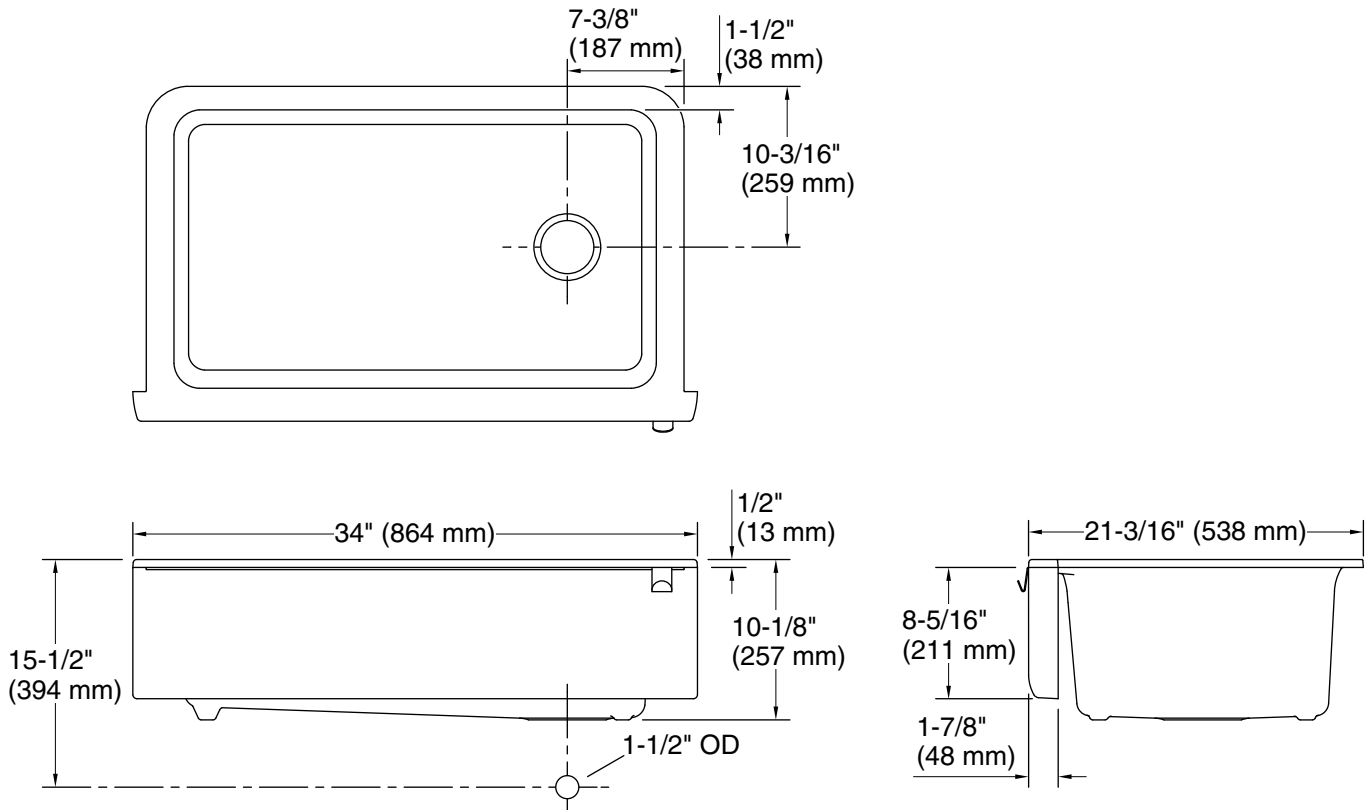
KOHLER® Neoroc® Sinks Lifetime Limited Warranty

See website for detailed warranty information.

Available Colors/Finishes

Color tiles intended for reference only.

Color	Code	Description
	CM6	Matte White
	CM1	Matte Black
	CM4	Matte Grey



Technical Information

All product dimensions are nominal.

Bowl configuration:	Single
Installation:	Undermount
Min. base cabinet width:	36" (914 mm)
Bowl area (Only):	Length: 28-5/8" (726 mm) Width: 15-1/2" (394 mm) Bowl depth: 9-1/2" (241 mm) Water depth: 9-1/2" (241 mm)
Drain hole:	3-7/8" (98 mm)
Template:	Apron-front, 1400299-7, required, included

Notes

Install this product according to the installation instructions.