

SUBMITTAL SHEET

JOB NAME	ITEM TAG
JOB LOCATION	PART NUMBER
CONTRACTOR	DATE
ENGINEER APPROVAL	DATE

CPVC BALL VALVE

Model S-605

1/2", 3/4" & 1" full-port design.
Compact-pattern molded-in-place body design.
Manufactured using 100% virgin resins.
Low torque, durable PTFE seats.
Designed for solvent-weld installation onto CTS CPVC tubing.

Working Pressure, Non Shock (PSI)

Cold working pressure (CWP): 150 P.S.I. @ 73°F
Maximum temperature: 180°F

NOT SUITABLE FOR STEAM SERVICE

- NSF / ANSI 61 Annex G Certified.
- Manufactured in compliance with ASTM F 1970.
- Solvent-Weld end connections conform to ASTM D 2846.
- Manufactured in an ISO accredited facility.



Pictured Model S-605

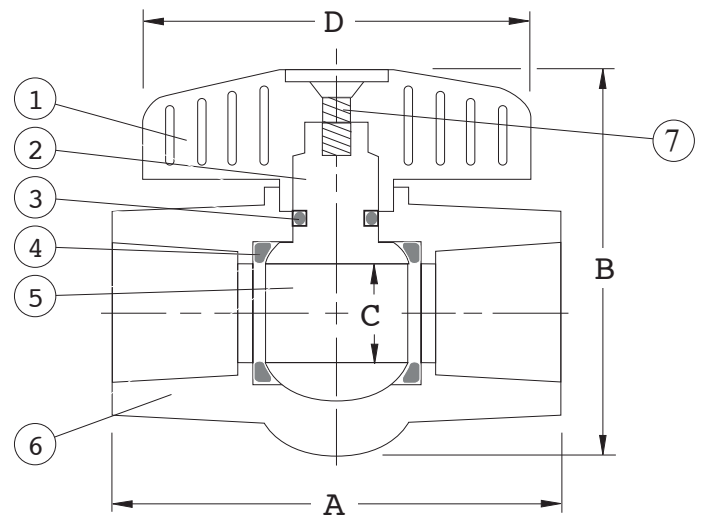


DIMENSIONS

Size	A	B	C	D
1/2"	2.69	2.00	.50	2.38
3/4"	3.25	2.50	.75	2.81
1"	3.75	3.88	1.00	3.50
1-1/4"	4.19	3.68	1.13	4.00
1-1/2"	4.50	3.81	1.35	4.00
2"	5.69	4.63	1.81	4.31

MATERIAL SPECIFICATION

PART	MATERIAL
1 Handle	Impact Grade
2 Stem	ASTM D1784, Class 23447
3 Stem O-ring	Commercial Grade
4 Seats	Dupont Telfon*
5 Ball	ASTM D1784, Class 23447
6 Body	ASTM D1784, Class 23447
7 Handle retaining screw	Commercial Grade



Pictured Model S-605 Cut-away