



Location:

# TempControl®



## 7-200 Thermostatic Mixing Valve Specification Submittal

<p><b>Specification</b></p> <p>TempControl thermostatic mixing valve made from lead free** metal components. Features serviceable integral check stops (see table 1 for flow rates).</p> <p><b>Temperature control range:</b> 70°F - 150°F (21.1°C - 65.6°C)</p> <p><b>Approach temperature:</b> 5°F (-15°C)</p> <p><small>**According to US Senate bill S.3874, the term "lead free" is defined as follows: "not more than a weighted average of 0.25 percent lead when used with respect to the wetted surfaces of pipes, pipe fittings, plumbing fittings, and fixtures"</small></p>	<p><b>Modifications</b></p> <ul style="list-style-type: none"> <li><input type="checkbox"/> -NI Rough nickel finish</li> <li><input type="checkbox"/> -P Polished chrome highlight finish</li> <li><input type="checkbox"/> -W Wall mounting bracket</li> </ul> <p><b>Note:</b> Append appropriate -suffix to model number.</p> <hr/> <p><b>Coordinating Model Numbers</b></p> <ul style="list-style-type: none"> <li><input type="checkbox"/> T-425-200 3" bimetal dial thermometer</li> <li><input type="checkbox"/> BV-200 Volume control shut-off valve</li> <li><input type="checkbox"/> SV-200 Solenoid valve</li> <li><input type="checkbox"/> TF-200 Tee fitting</li> <li><input type="checkbox"/> WHA-1 Water hammer arrestor</li> </ul>
<p><b>Compliance</b></p> <p>-ASME A112.18.3/CSA B125.3-12 -ASSE 1017 -NSF/ANSI 61.9, NSF/ANSI 372</p>	<p><b>Warranty</b></p> <p><b>Limited Lifetime</b> - to the original end purchaser in consumer/residential installations. <b>5 Years</b> - for industrial/commercial installations. Refer to <a href="http://www.symmons.com/warranty">www.symmons.com/warranty</a> for complete warranty information.</p>

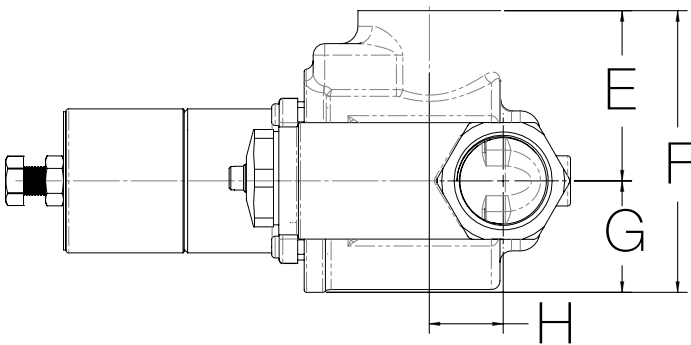
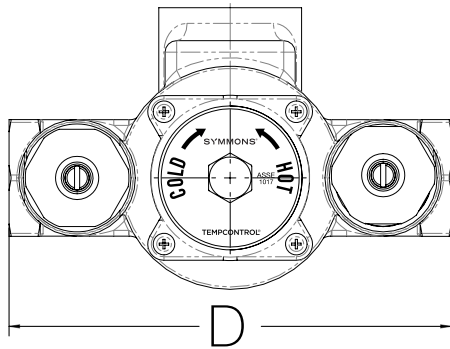
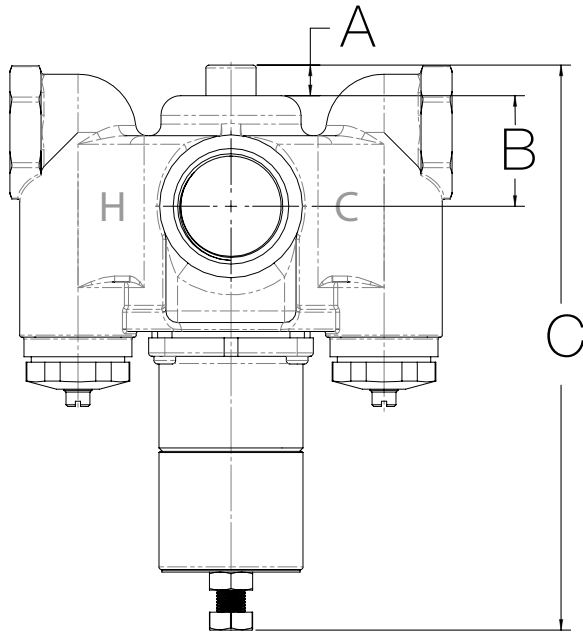


### Flow Rate Chart

TABLE 1: FLOW RATE - gpm (L/min)								
VALVE MODEL	MIN. FLOW RATE*	MIN. FLOW RATE	PRESSURE DIFFERENTIAL - psi (kPa)					
			5 psi (34 kPa)	10 psi (69 kPa)	20 psi (138 kPa)	25 psi (172 kPa)	30 psi (207 kPa)	45 psi (310 kPa)
7-200	0.5 gpm (1.9 L/min)	5 gpm (19 L/min)	7 gpm (27 L/min)	12 gpm (46 L/min)	18 gpm (68 L/min)	21 gpm (80 L/min)	23 gpm (87 L/min)	27 gpm (102 L/min)

\*Minimum flow rate when valve is installed at or near the hot water source with recirculated tempered water and continuously operating circulating pump.

## Dimensions



TempControl Valve Sizes		
Model No.	Inlet	Outlet
7-200	3/4"	3/4"
Measurements		
A	1/2", 13 mm	
B	1-7/8", 46 mm	
C	8-15/16", 226 mm	
D	5-15/16", 150 mm	
E	2", 51 mm	
F	3-5/16", 84 mm	
G	1-5/16", 33 mm	
H	11/16", 17 mm	

**Note:** Dimensions subject to change without notice.