

# Double Check Low Emission Filler Valves for Forklift and DOT Containers 7647 Series

## Application

Designed to provide fast filling of forklift, motor fuel, and recreational vehicle tanks.

## Features

- Resilient seat disc in lower check designed to provide a gas tight seal without leakage.
- Double back check provides added system protection.
- 7647SA has 30° angle on hose connection. Makes connection and disconnection easier for certain engine fuel applications.
- Large 1 3/4" wrench flats on 7647SC allow use of socket wrench for easy installation.
- Specify RegO Filler Valves on all your original tank purchases to ensure quality and dependable performance.

## Materials

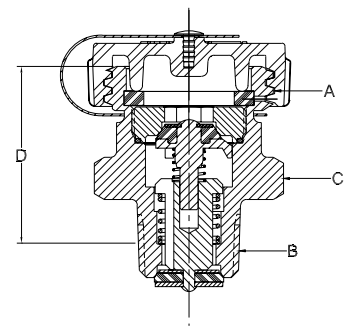
Upper Body.....	Brass
Lower Body.....	Brass
Springs.....	Stainless Steel
Washer and Seat Discs.....	Resilient Synthetic Rubber
Cap.....	Plastic



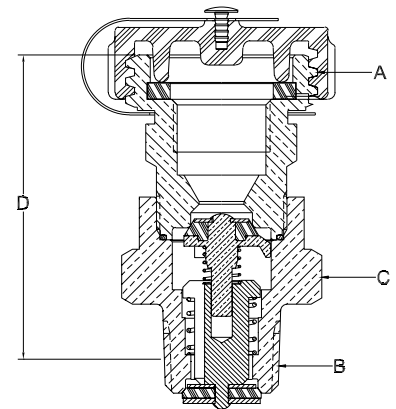
Lanyard and Cap



7647SC



7647DC



## Ordering Information

Part Number	A Hose Connection	B Tank Connection M. NPT	C Wrench Flats	D Effective Length (Approx.)	Propane Liquid Capacity at Various Differential Pressures (GPM)**				
					10 PSIG	20 PSIG	30 PSIG	40 PSIG	50 PSIG
7647DC	1 3/4" ACME + F. POL	3/4"	1 3/4"	2 9/16"	14	20	24	27	50
7647SC*	1 3/4" ACME		1 3/4"	1 11/16"*					

\* Large 1 3/4" hex wrench flats.

\*\* Multiply flow rate by .94 to determine liquid butane capacity.