

Features

- Acrylic
- Optional K-1279 front apron
- 60" (1524 mm) x 30" (762 mm) x 17" (432 mm)

**BATH
K-1510-X**

ADA

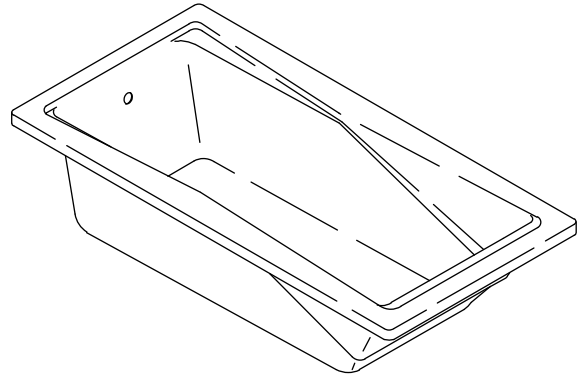
CSA B651

OBC

Codes/Standards Applicable

Specified model meets or exceeds the following:

- ADA
- CSA B651
- OBC
- CSA B45.5/IAPMO Z124
- ASTM E162
- ASTM E662



Colors/Finishes

- 0: White
- Other: Refer to Price Book for additional colors/finishes

Accessories

- 0: White
- CP: Polished Chrome
- PB: Vibrant® Polished Brass
- NA: None applicable
- Other: Refer to Price Book for additional colors/finishes

Specified Model

Model	Description	Colors/Finishes	
K-1510-X	Bath	<input type="checkbox"/> 0	<input type="checkbox"/> Other_____

Recommended Accessories

K-7161-AF	Pop-up drain	<input type="checkbox"/> CP	<input type="checkbox"/> PB	<input type="checkbox"/> Other_____
-----------	--------------	-----------------------------	-----------------------------	-------------------------------------

Optional Accessories

K-1177	Vinyl tiling-in bead (use when wall material contacts any top surface of bath)		<input type="checkbox"/> NA
K-1279	Apron (removable)	<input type="checkbox"/> 0	<input type="checkbox"/> Other_____
K-1491	Pillow	<input type="checkbox"/> 0	<input type="checkbox"/> Other_____
K-1601	Footstop	<input type="checkbox"/> 0	<input type="checkbox"/> Other_____

Product Specification

The acrylic bath shall be 60" (1524 mm) in length, 30" (762 mm) in width, and 17" (432 mm) in height. The bath shall have an optional K-1279 front apron. The bath shall be Kohler Model K-1510-X-_____.

HOURGLASS®

Technical Information

Fixture*:	
Basin area:	
Bathing well	42" (1067 mm) x 17" (432 mm)
Top area	55" (1397 mm) x 25" (635 mm)
To overflow:	
Water depth	12-1/8" (308 mm)
Capacity	50 gal (27.2 L)
Weight	60 lbs (27.2 kg)
Drop-in cutout	58-1/2" (1486 mm) x 28-1/2" (724 mm)
* Approximate measurements for comparison only.	

Installation Notes

Install this product according to the installation guide.

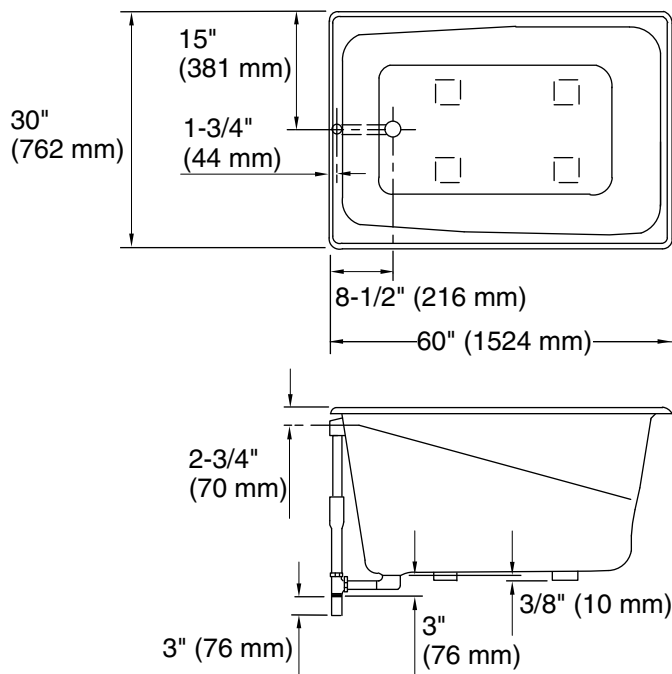
The apron must be installed before the finished floor and wall materials are installed.

Floor support under bath must provide for a minimum of 47 lbs/square foot (229 kg/square meter) loading.

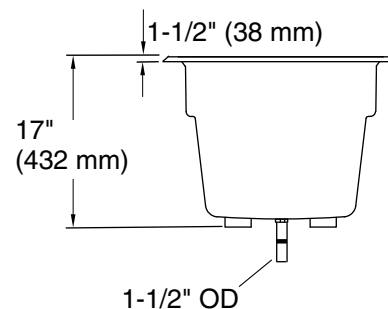
Will comply with **ADA** when installed per Section 607 Bathtubs of the Act.

Will comply with **CSA B651** when installed per Clause 4.4.7 of the standard.

Will comply with **OBC** when installed per Clause 3.8.3.13.



No change in measurements if connected with drain illustrated. (K-7161-AF)



Product Diagram