



Lavatory Faucets

102mm (4") Centerset Less Pop-up (with Pop-up hole)

Model No: 22C001

COMPLIES WITH:

- CSA certified
- Verified compliant with 0.25% weighted average Pb content regulations
- Complies to ASME A112.18.1/CSA B125.1
- Complies to ASME A112.18.6 for Flex Connector Models
- ♿ Indicates compliance to ICC/ANSI A117.1
- (Contact Delta Representative for State and/or Local Approvals)



NOTES:

CA/VT Compliance:

This COMPLETE SERIES is ONLY available as CA/VT Compliant product as of June 8, 2009.

The Product Numbers have NOT changed.

(Dimensional drawing on following page)

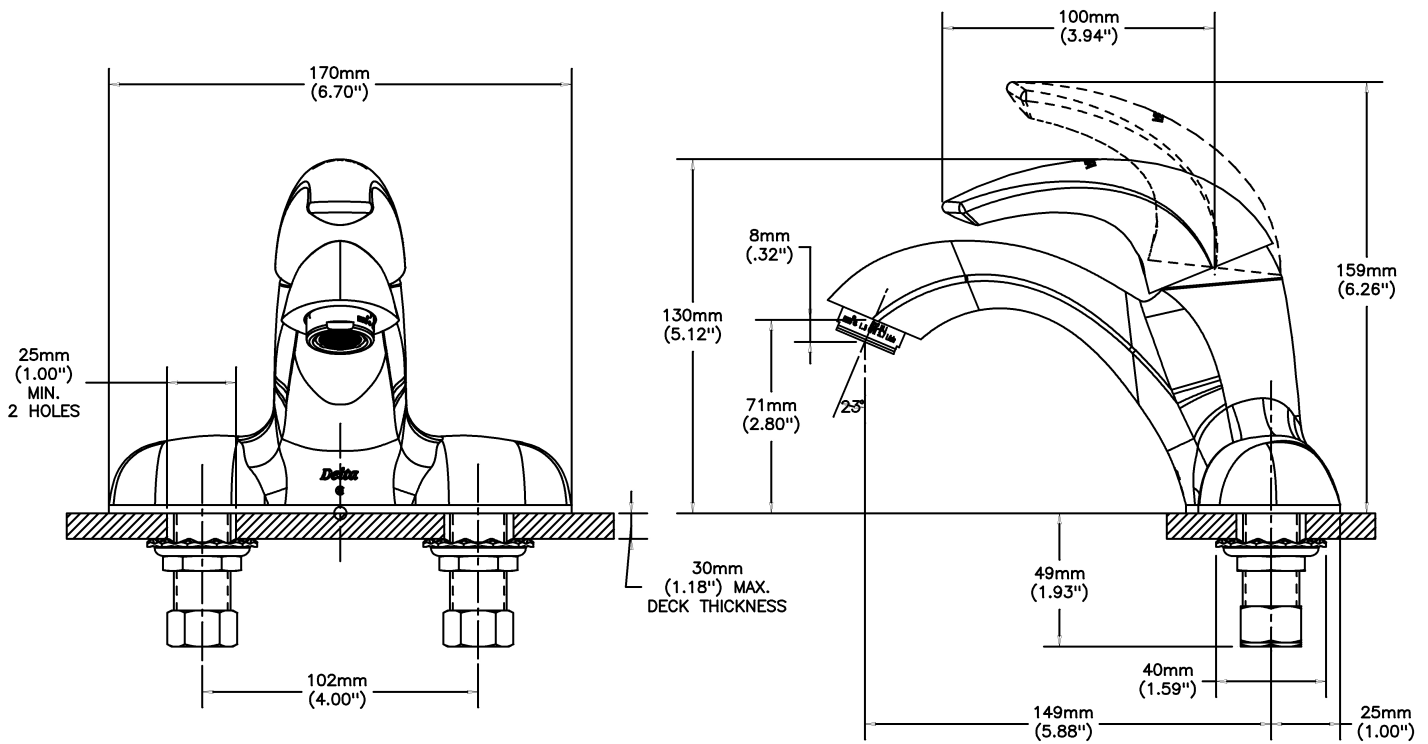
SPECIFICATION:

- CAST BRASS
- Ceramic cartridge with rotational limit stop
- Metal hold-down package
- Single control, 102mm (4") centers
- Centerset faucet
- Chrome Finish
- Outlet: Vandal Resistant outlet (wrench flats) 1.5 USGPM (5.7L/min)
- Handle#: 1 - Vandal Resistant 89mm(3 1/2") lever handle - ADA compliant-colour indexed

OPERATION:

- Not Available

Model No: 22C001



INLET FOR 3/8" OR 1/2" FLEXIBLE RISER
OR 1/2-14 NPSM COUPLING NUT (NOT SUPPLIED)

Delta reserves the right (1) to make changes to specifications and materials, and (2) to change or discontinue models, both without notice or obligation. Dimensions are for reference. Measurement may vary plus or minus 6mm(0.25"). Mounting locations are suggested only. Check with local codes for requirements in your area. This spec was produced July 23, 2018.

Delta Faucet Company - 55 East 111th St. - Indianapolis, Indiana, USA 46280 - (317) 848-1812
Delta Faucet Canada - 395 Matheson Blvd E - Mississauga, Ontario, Canada L4Z 2H2 - (905) 712-3030