

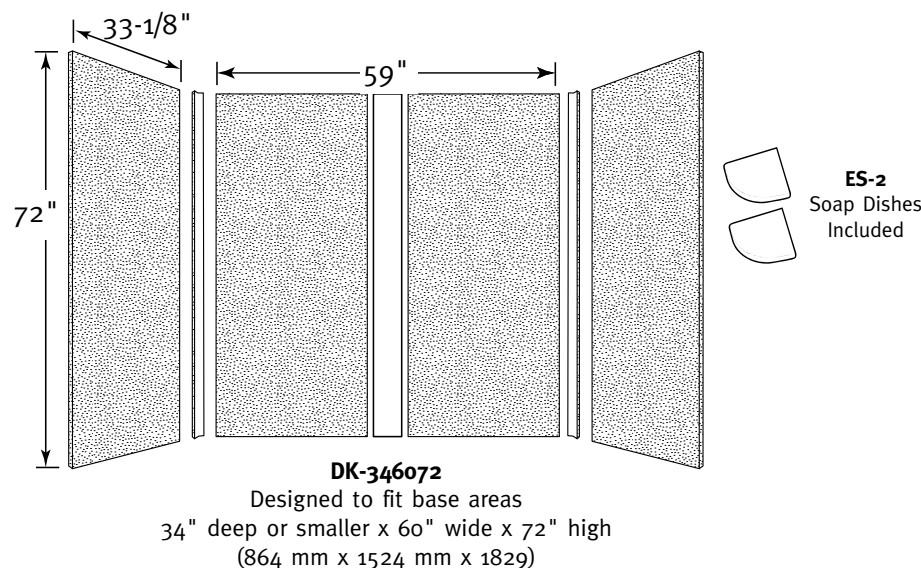
Manufactured from Swanstone solid surface
(see page 2 for detailed information)

Recommended for high use traffic areas and commercial surfaces

WARRANTY
Limited Lifetime – Residential
Limited 25-year – Commercial

FEATURES

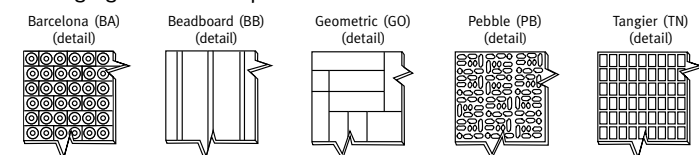
- 3-D textured panel patterns made from 100% Swanstone solid surface
- Swanstone solid surface means color and texture run all the way through and cannot wear away
- Panels clean easily using household cleaners, and the solid surface resists the growth of mold and mildew
- Heat resistant walls can handle steamer units
- Color coordinates to match Swanstone shower floors and vanity tops
- Ideal for remodeling, panels glue up over existing surface


SPECIFICATIONS
DK-346072 Swanstone Decorative Panel Shower Wall Kit

Model	Part	Base Area Designed To Fit	Ship Wt. Lb.	Ship UPS	Carton Dims. In.	Cu. Ft.
DK-346072*	DK346072*	34" D x 60" W x 72" H (864 mm or smaller x 1524 mm x 1829 mm)	160	-	74 x 67 x 5	8.61

Kit Includes: Two side panels, two back panels, two corner molding strips, one batten strip, two corner soap dishes, installation materials and complete installation instructions.

Packaging: Each kit is packed in an individual carton.



*NOTE: Add the appropriate code letters (BA, BB, GO, PB or TN) at the end of the model and part numbers to indicate the pattern of your choice.

ACCESSORIES

See pages 83-84 for complete listing of all wall accessories.

STANDARDS AND RATINGS

- Class 1A fire rating
- American Society for Testing and Materials
- National Electrical Manufacturers Association
- National Sanitation Foundation-NSF Splash Zone, -NSF Food Zone

For a complete list of tests and results see the Technical Data Sheet – page 131.

SUPPORT DOCUMENTS

Installation instructions available on line at www.swanstone.com

MADE IN USA.

COLORS

(See inside back cover for color sample.)

- White (010)
- Bone (037)
- Bisque (018)
- Almond Galaxy (046)
- Arctic Granite (035)
- Barley (091)
- Bermuda Sand (040)
- Gray Granite (042)
- Green Pasture (095)
- Sierra (094)
- Tahiti Blue (056)
- Tahiti Desert (050)
- Tahiti Evergreen (057)
- Tahiti Gray (053)
- Tahiti Ivory (059)
- Tahiti Matrix (058)
- Tahiti Rose (052)
- Tahiti Sand (051)
- Tahiti Terra (055)
- Tahiti White (011)
- Cornflower (063)
- Ironweed (061)
- Night Sky (012)
- Purple Sage (064)
- Wild Indigo (022)
- Winter Wheat (060)
- Indian Grass (071)
- Pebble (072)
- Seafoam (074)
- Glacier (121)
- Prairie (122)
- Acorn (123)
- Canyon (124)
- Cloud White (125)
- Cloud Bone (126)
- Baby's Breath (168)
- Caraway Seed (169)

MAINTENANCE AND CLEANING INFORMATION

Abrasive cleansers are safe for Swanstone walls but are not recommended if used in conjunction with a Swanstone or Veritek shower base or bathtub which is designed with high sheen areas to prevent soap scum build-up. Prolonged scrubbing of Swanstone walls with these products could dull the surface of the Swanstone or Veritek base and promote the build-up of soap scum. **Do not** use "leave on" cleaning products such as the Automatic Shower Cleaner. Prolonged contact with harsh chemicals could have an adverse reactive over time and discolor your surfaces. **Do not** use cleaning agents that caution use on acrylic, polyester or plastics.

WARRANTY
Limited Lifetime – Residential
Limited 25-year – Commercial

WALL ACCESSORIES
SSWTK-1 Swanstone Window Trim Kit

Model	Part	Dimensions	Ship Wt. Lb.	Ship UPS	Carton Dims. In.	Cu. Ft.
SSWTK-1 (single)	TK03610	-	30	UPS	37 x 12 x 4	1.03

Designed for window sill applications up to 36" wide and 10" deep.

Kit Includes: One horizontal Swanstone sill panel, two vertical Swanstone jamb panels, installation materials and complete installation instructions.

Packaging: Packed in individual cartons, both singly* and with a master carton (6 pack).

SS-29 and SS-72 Installation Kits

Model	Part	Dimensions	Ship Wt. Lb.	Ship UPS	Carton Dims. In.	Cu. Ft.
SS-29*	SS29000	-	6	UPS	12 x 7 x 7	.34
SS-72**	SS72000	-	2	UPS	14 x 7 x 4	.23

*Kit Includes: Four tubes of clear silicone and one tube of color-coordinated silicone to mount wall panels.

One kit per tub wall panel system. Packed in individual cartons.

**Kit Includes: One tube of clear silicone and one tube of color-coordinated silicone to attach single panel to any properly prepared surface. For multiple panel applications, more than one kit will be required. One kit per panel. Packed in individual cartons.

AS-1075 Recessed Accessory Shelf

Model	Part	Dimensions	Ship Wt. Lb.	Ship UPS	Carton Dims. In.	Cu. Ft.
AS-1075	AS01075	10-1/4" H x 7-1/2" W x 4-1/8" D	5	UPS	14 x 10 x 6	.49

Kit Includes: One recessed shelf and one tube clear of adhesive. Installs vertically or horizontally between studs. Packed in individual cartons.

SS-7211 Corner Soap Dish

Model	Part	Dimensions	Ship Wt. Lb.	Ship UPS	Carton Dims. In.	Cu. Ft.
SS-7211	SS07211	11" H x 5-3/4" D	5	UPS	14 x 11 x 7	.62

Kit Includes: One molded soap dish, one tube of clear adhesive and one tube of color matched caulk. Installs in corner only. Packed in individual cartons.

ES-2 Corner Soap Dish

Model	Part	Dimensions	Ship Wt. Lb.	Ship UPS	Carton Dims. In.	Cu. Ft.
ES-2	ES20000	-	2	UPS	13 x 7 x 4	.21

Kit Includes: Two soap dishes plus one tube of silicone adhesive. Installs in corner only. Packed in individual cartons. See corner molding, page 84.

RS-2215 Recessed Shampoo Shelf

Model	Part	Dimensions	Ship Wt. Lb.	Ship UPS	Carton Dims. In.	Cu. Ft.
RS-2215	RS02215	22" H x 15" W x 4-5/16" D	12	UPS	27 x 20 x 7	2.19

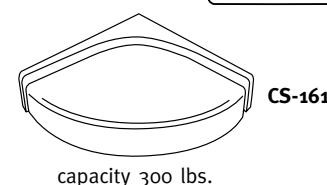
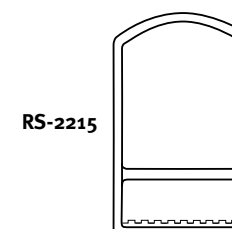
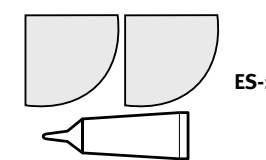
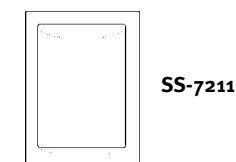
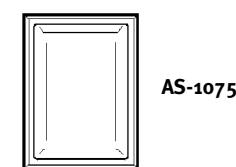
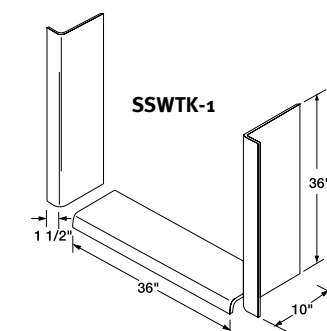
Kit Includes: One recessed shampoo shelf and one tube of adhesive. Installs vertically between studs. Packed in individual cartons.

CS-1616 Corner Shower Seat

Model	Part	Dimensions	Ship Wt. Lb.	Ship UPS	Carton Dims. In.	Cu. Ft.
CS-1616	CS01616	16-5/16" L x 16-5/16" W x 4" H	20	UPS	22 x 22 x 5	1.40

Kit Includes: One Swanstone shower seat, one stainless steel mounting bracket, six lag bolts and washers, and one tube of adhesive. Packed in individual cartons.

See back cover for complete listing of colors available for each accessory.



MADE IN USA.