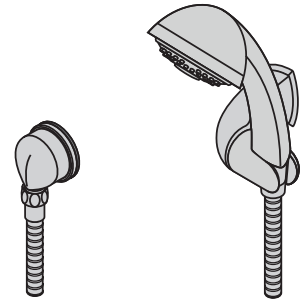




Location:



552HS
3 Mode Hand Shower Assembly
Specification Submittal

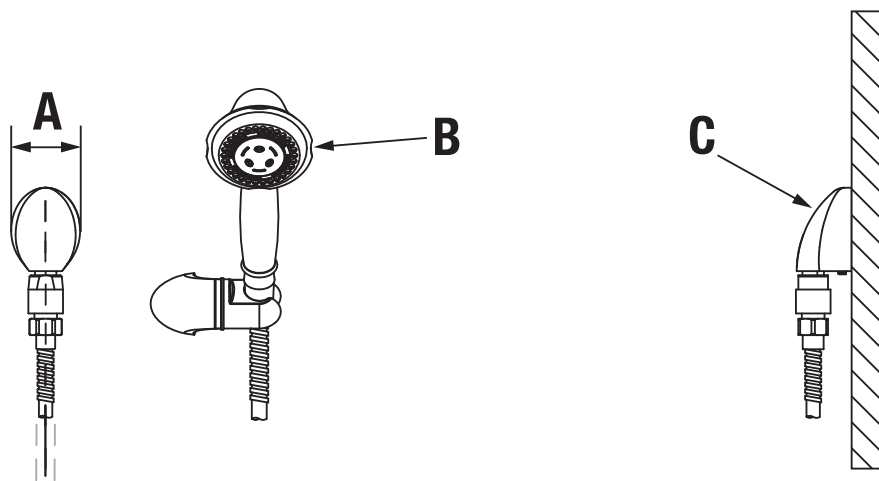


<p>Model Numbers</p>	<p>Feature Highlights</p>
<p><input type="checkbox"/> 552HS 3 Mode Hand Shower Assembly</p>	<ul style="list-style-type: none"> • Double checks • Wall connection • Cradle for hand shower mounting • Flexible metal hose • Standard 2.0 gpm (7.6 L/min) flow restrictor.
<p>Options/ Modifications</p>	
<p><input type="checkbox"/> 1.5 1.5 gpm (5.7 L/min) flow restrictor</p> <p><input type="checkbox"/> STN Satin Nickel finish</p> <p><input type="checkbox"/> SBZ Seasoned Bronze finish</p> <p>Note: Append appropriate -suffix to model number.</p>	<p>Warranty</p> <p>Limited Lifetime - to the original end purchaser in consumer/residential installations.</p> <p>10 Years - for commercial/industrial installations. Refer to www.symmons.com/warranty for complete warranty information.</p> 
<p>Compliance</p> <p>- ASME A112.18.1/CSA B125.1</p> 	

Architectural/ Engineering Specification

Symmons Elm 3 Mode Hand Shower Assembly _____ Includes Double checks, Wall connection, Cradle for hand shower mounting, Flexible metal hose and Standard 2.0 gpm (7.6 L/min) flow restrictor. 10 Year Commercial Warranty. ASME A112.18.1/CSA B125.1 compliant. Available options: "1.5 - 1.5 gpm (5.7 L/min) flow restrictor", "STN - Satin Nickel finish", "SBZ - Seasoned Bronze finish".

Dimensions



Measurements	
A	2 1/8", 54 mm
B	Ø 3 1/4", 83 mm
C	1/2" IPS

Note: Dimensions are subject to change without notice.