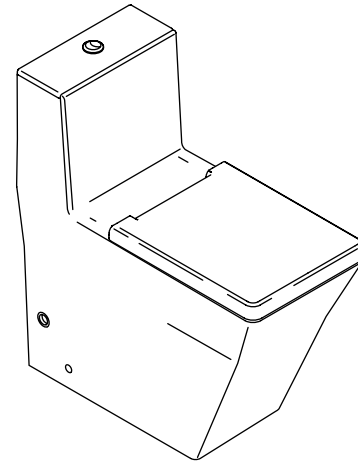


### DUAL FLUSH TOILET K-3797



#### Features

- Vitreous china
- One-piece
- Elongated bowl
- Dual Flush flushing system
- Less supply
- 2-1/8" (5.4 cm) glazed trapway
- Includes seat and cover
- Required minimum 12" (30.5 cm) rough-in
- Skirted bowl design
- High efficiency 1.6 gpf (6 lpf) or 0.8 gpf (3 lpf)
- Includes polished chrome top-mount flush actuator
- 27-1/4" (69.2 cm) x 14-1/2" (36.8 cm) x 28" (71.1 cm)



#### Codes/Standards Applicable

Specified model meets or exceeds the following:

- ASME A112.19.2/CSA B45.1
- ASME A112.19.14
- EPA WaterSense®

#### Colors/Finishes

- 0: White
- Other: Refer to Price Book for additional colors/finishes

#### Accessories

- G: Brushed Chrome
- CP: Polished Chrome
- Other: Refer to Price Book for additional colors/finishes

#### Specified Model

Model	Description	Colors/Finishes	
K-3797	Dual Flush toilet	<input type="checkbox"/> 0	<input type="checkbox"/> Other _____
<b>Recommended Accessories</b>			
K-7637	Angle supply with stop – 3/8" NPT connection	<input type="checkbox"/> CP	<input type="checkbox"/> Other _____
K-9384	Dual flush actuator	<input type="checkbox"/> G	

#### Product Specification

The one-piece toilet with elongated bowl shall be made of vitreous china. Toilet shall be 27-1/4" (69.2 cm) in length, 14-1/2" (36.8 cm) in width, and 28" (71.1 cm) in height. Toilet shall have a required minimum 12" (30.5 cm) rough-in and 2-1/8" (5.4 cm) glazed trapway. Toilet shall have a Dual Flush flushing system. Toilet shall be high efficiency with 1.6 gpf (6 lpf) or 0.8 gpf (3 lpf). Toilet shall feature a skirted bowl design. Toilet shall include a polished chrome top-mount flush actuator, and a seat and cover. Toilet shall be less supply. Toilet shall be Kohler Model K-3797-\_\_\_\_\_.

