

## Features

- Single handle controls both on/off activation and temperature settings.
- 8-5/8" (215 mm) stationary spout reach.
- 7.5 gpm (28.4 lpm) maximum bath faucet flow rate at 45 psi (3.1 bar).
- 1.75 gpm (6.6 lpm) maximum handshower flow rate at 80 psi (5.5 bar).
- KOHLER ceramic disc valves exceed industry longevity standards for a lifetime of durable performance.
- Coordinates with other products in the Avid collection.

## Material

- Premium metal construction for durability and reliability.
- KOHLER finishes resist corrosion and tarnishing.

## Installation

- Floor-mount.

## Required Products/Accessories

For freestanding installation  
K-97342 Mounting-block

## Recommended Products/Accessories

K-23723 Faucet cleaner



## Codes/Standards



ASME A112.18.1/CSA B125.1  
DOE - Energy Policy Act 1992  
EPA WaterSense®  
California Energy Commission (CEC)

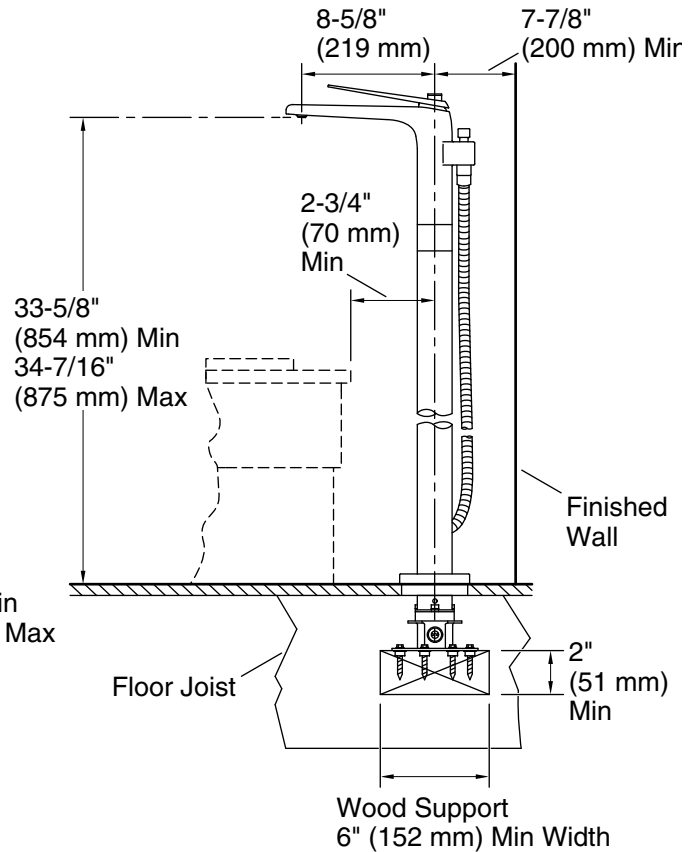
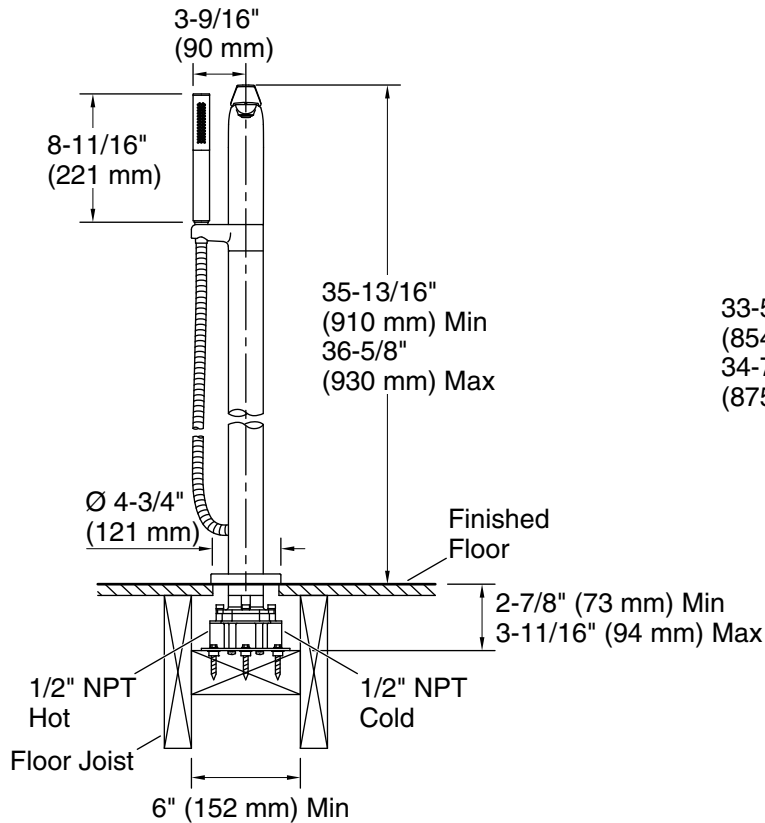
## KOHLER® Faucet Lifetime Limited Warranty

See website for detailed warranty information.

## Available Colors/Finishes

*Color tiles intended for reference only.*

Color	Code	Description
	CP	Polished Chrome
	BN	Vibrant® Brushed Nickel



### Technical Information

All product dimensions are nominal.

#### Faucet:

Flow rate: 7.5 gal/min (28.4 l/min)  
 Pressure: 45 psi (3.1 bar)  
 Drain included: No

#### Spout:

Spout reach: 8-3/4" (223 mm)

#### Handshower:

Rated maximum flow: 1.75 gal/min (6.6 l/min)  
 Pressure: 80 psi (5.5 bar)

### Notes

Install this product according to the installation instructions.

Adequate floor support is required. The wood support must be a minimum of 2" (51 mm) thick by 6" (152 mm) wide. 2x6 lumber is NOT adequate for this application.

Concrete can be used as the floor support.

Requires 3/16" masonry drill bit and six 1/4" x 1-3/4" concrete screws, not included.