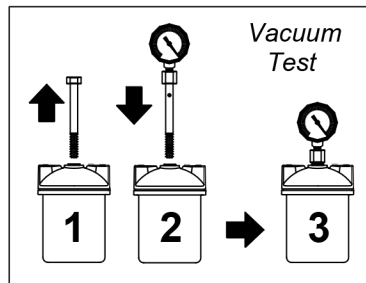




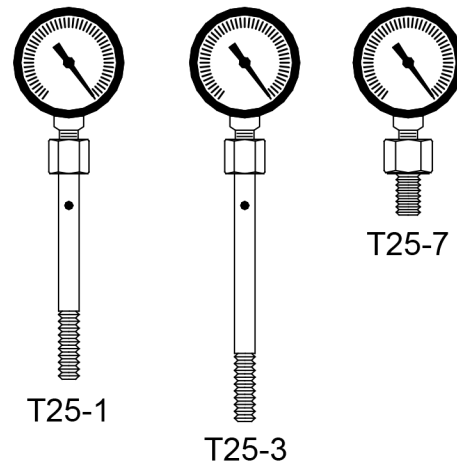
"VAC-PROBE" OIL LINE ACCESS PORT

Allows access to oil lines without opening or disconnecting fittings. Installed in place of the center bolt on the line filter it allows not only vacuum tests to be made quickly and neatly, but also affords easy access to the fuel system for pump priming and connection of a temporary oil line (run outs). One piece solid steel construction.



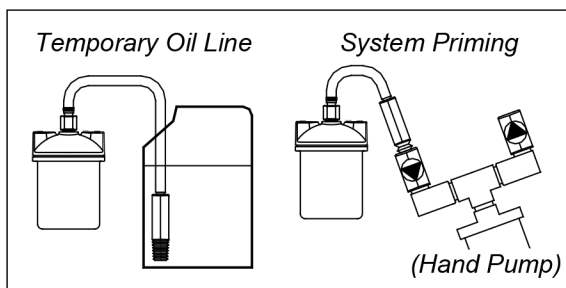
- ▶ Quickly and neatly access fuel system without disconnecting fittings!
- ▶ Liquid filled gauge dampens pulsation allowing precise measurement and protects gauge from hydraulic shock damage
- ▶ Models available for all popular heating oil line filters

STAINLESS STEEL LIQUID FILLED GAUGES



Item No.	Description
T25	Vac-Probe Kit; (1) Vacuum gauge, (4) Vac-Probes-1 ea.
T25-1	Vac-Probe w/gauge for small General 1A style filter
T25-3	Vac-Probe w/gauge for large General 2A style filter
T25-7	Vac-Probe w/gauge for Firomatic C-40, C-50
T25-8	Vac-Probe No. T25-7, less gauge

Item No.	Vac-Probe Run Out Adaptor*
T25-16	For Fulflo FB4, FB6, FB8, FB10 filters
T25-18	For Firomatic C-40, C-50 filters



*Vac-Probe w/48" flexible hose connected to a heavy weight 3/8" NPT hand pump connection adaptor. Adaptor easily connects to a hand pump, or serves as a hose end weight when drawing oil from a can.



"FLO-THRU" BLEED WRENCH

Sliding Handle

- ▶ Quickly and neatly bleed oil burner pumps
- ▶ Handle slides side-to-side for easy bleeding

Item No.	Description
T28	Bleed Wrench with 12" hose

