

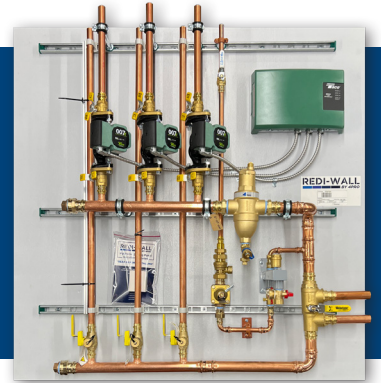
# REDI-WALL

BY 4PRO

## Taco Circulator Pump Hydronic Zoning Panel

4PRO2PRWR | 4PRO3PRWR | 4PRO4PRWR | 4PRO2PRWL | 4PRO3PRWL | 4PRO4PRWL

Every Redi-Wall is built with precision using the hydronic accessories from industry leading manufacturers that you're familiar with. You'll be able to provide quality, clean and consistent boiler installs that your customers expect but in half the time.



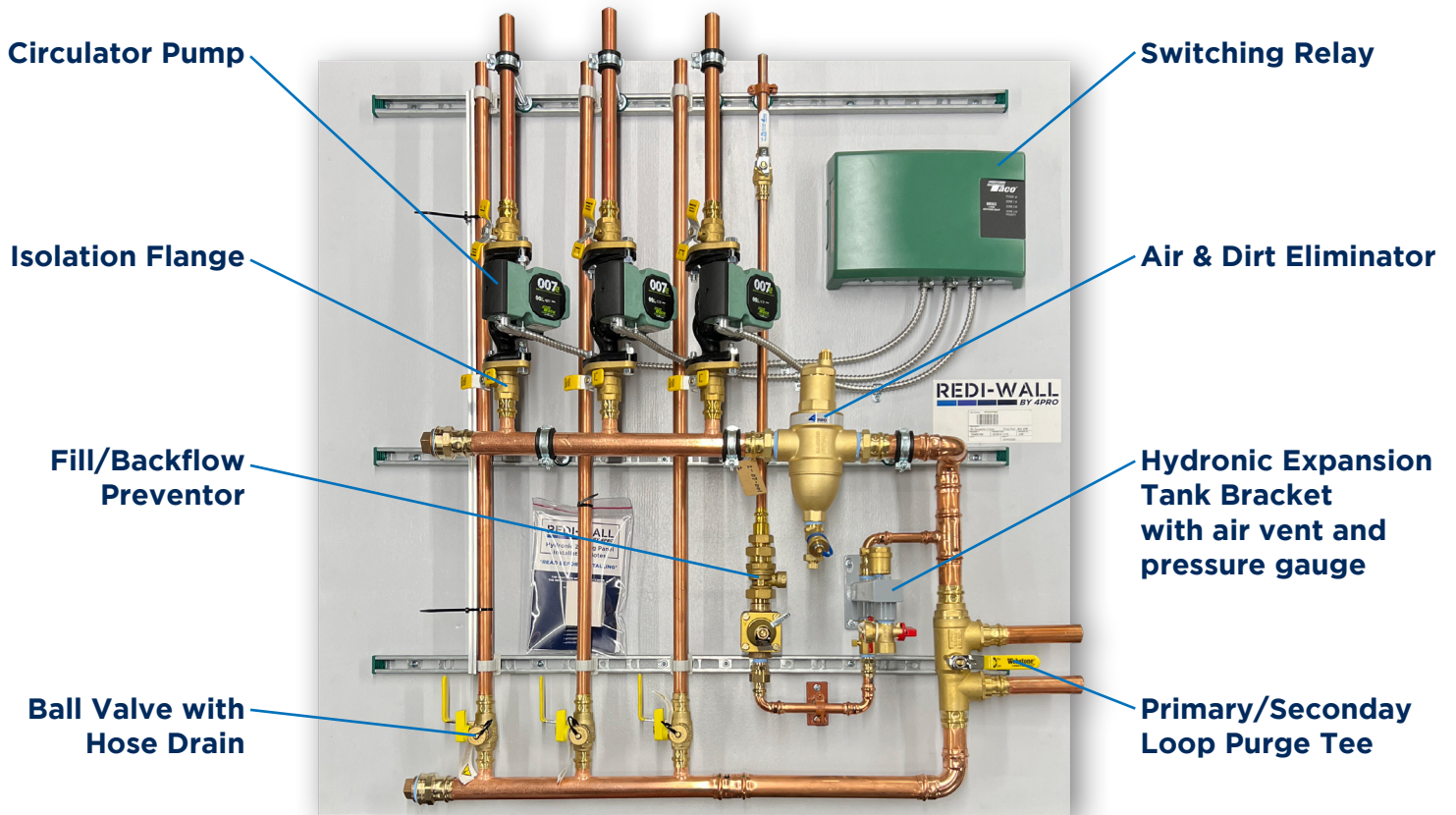
### ALL TACO CIRCULATOR PUMP REDI-WALLS HAVE THE OPTION OF:

- 2-, 3-, or 4-Zones
- Left or Right connection
- Primary & Secondary piping

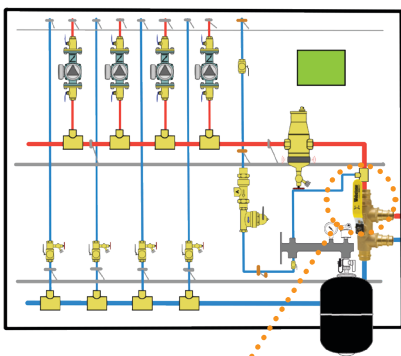
### STANDARD COMPONENTS INCLUDE:

- Taco 007E-2F2 Cast Iron ECM Circulator Pump 120V With 2-Way Flange & Green Mode
- IPFM1 Watts 3/4" Press Isolation Pump Flange or 4PRO Equivalent
- 1-1/4" X 3/4" X 72" 6CC Copper Zone Header Cut to Size
- Taco 3492-050-BH1 1/2" Press Union X IPS Brass Combination Fill Valve & Backflow Preventer
- Taco SR50X-2 Zone Switching Relay With Priority in 2, 3, or 4-Zone
- Webstone H-88654 1-1/4" X 1" Press Pro-Pal Loop Purge Tee
- 4PROETBV 1/2" M X F Expansion Tank Ball Valve With Drain
- 4PRO114PBADEWM 1-1/4" Press Brass Air & Dirt Eliminator with Magnet
- 4PROHETBRACKETKIT Hydronic Expansion Tank Bracket With Gauge, Valve, and Air Vent
- Webstone H-80613W 3/4" Lead Free Press Ball Valve With Hose Drain
- 4' x 4' Painted Plywood Panel

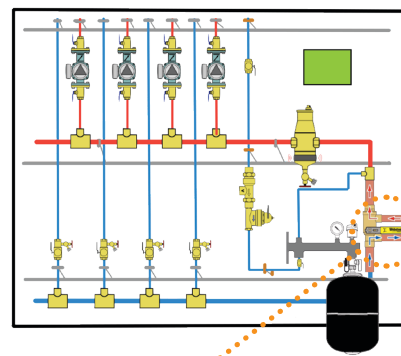
Sold Exclusively through The Granite Group | [thegranitegroup.com](http://thegranitegroup.com)



| Model     | Zones | Connection |
|-----------|-------|------------|
| 4PRO2PRWR | 2     | Right      |
| 4PRO2PRWL | 2     | Left       |
| 4PRO3PRWR | 3     | Right      |
| 4PRO3PRWL | 3     | Left       |
| 4PRO4PRWR | 4     | Right      |
| 4PRO4PRWL | 4     | Left       |



**Primary / Secondary Piping**  
Pro-Pal Loop Purge Tee **OPEN**



**Primary Piping Only**  
Pro-Pal Loop Purge Tee **CLOSED**

