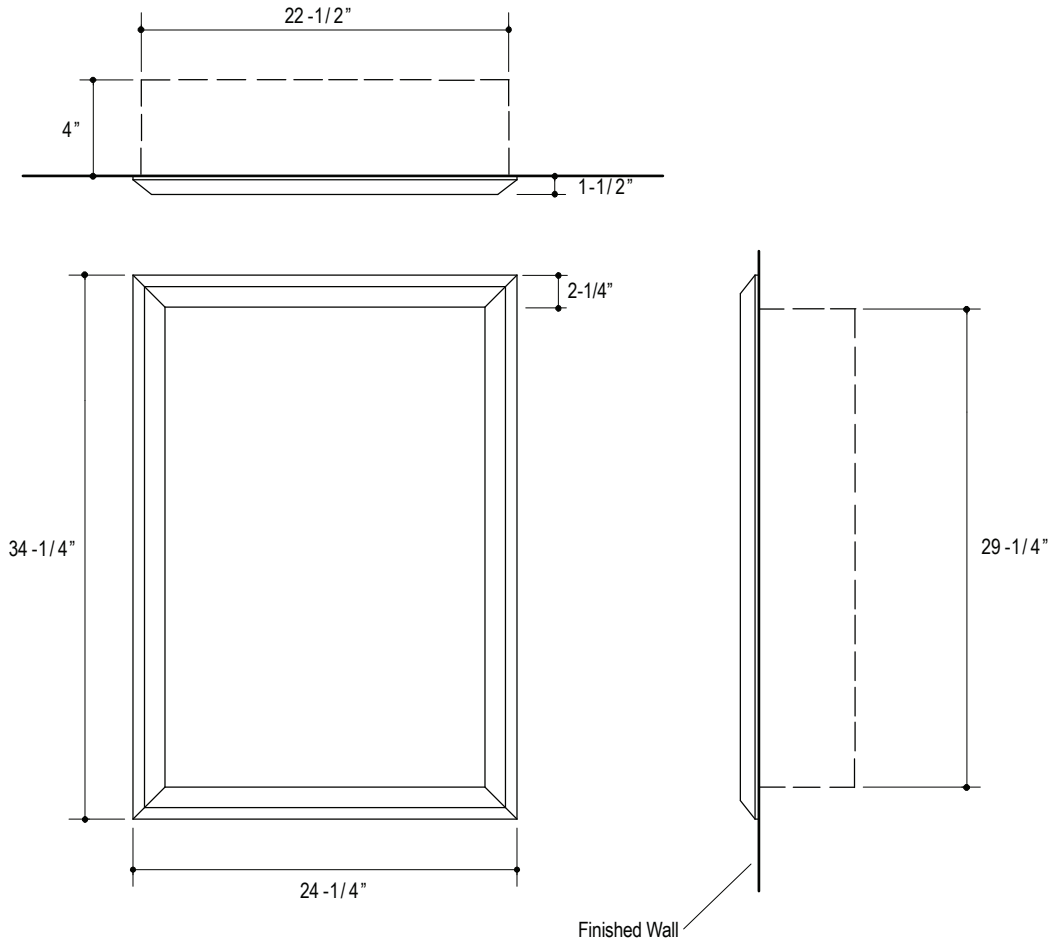


FEATURES

Medicine Cabinet

- 3 Glass Shelves
- Recessed Installation

P74101, P74102



ROUGHING-IN NOTES

Recommended Height:

Recommended Install Height is 43" from Base of Cabinet to Floor.

All Dimensions are Nominal.

SPECIFIED MODEL

Model	Description	Finishes
P74102-00	Town Mirror	<input type="checkbox"/> NA
P74101-00	Town Medicine Cabinet	<input type="checkbox"/> NA

Optional Accessory

MTSK30D4	Mirrored Side Kit (Quantity 1 = Pair)	Order from Robern®
----------	---------------------------------------	--------------------

We reserve the right to make revisions without notice in the design of products or in packaging unless this right has specifically been waived at the time the order is accepted.