




Job Name:

System Reference:

Date:

Indoor Unit: MSY-GL18NA	Outdoor Unit: MUY-GL18NA	Wireless Remote Controller
		

### GENERAL FEATURES

- Slim wall-mounted indoor units provide zone comfort control
- The outdoor unit powers the indoor unit, and should a power outage occur, the system is automatically restarted when power returns
- INVERTER-driven compressor and LEV provide high efficiency and comfort while using only the energy needed to maintain maximum performance
- Multiple fan speed options: Quiet, Low, Medium, High, Super-high, Auto
- Multiple control options available:
  - Hand-held Remote Controller (provided with unit)
  - kumo cloud® smart device app for remote access
  - Third-party interface options
  - Wired or wireless controllers
- Quiet operation
- Smart Set: recalls a preferred preset temperature setting at the touch of a button
- Blue Fin anti-corrosion treatment applied to the outdoor unit heat exchanger for increased coil protection and longer life

## SPECIFICATIONS: MSY-GL18NA & MUY-GL18NA

Cooling <sup>1</sup>	Maximum Capacity	Btu/h	22,000	
	Rated Capacity	Btu/h	18,000	
	Minimum Capacity	Btu/h	5,800	
	Maximum Power Input	W	2,105	
	Rated Power Input	W	1,340	
	Moisture Removal	Pints/h	2.1	
	Sensible Heat Factor		0.87	
	Power Factor	%	99 / 99	
Efficiency	SEER		20.5	
	EER <sup>1</sup>		13.4	
	ENERGY STAR® (ENERGY STAR products are third party certified by an EPA-recognized Certification Body.)		YES	
Electrical	Voltage, Phase, Frequency		208/230V, 1 phase, 60Hz	
	Guaranteed Voltage Range	V AC	187 - 253	
	Voltage: Indoor - Outdoor, S1-S2	V AC	208 / 230	
	Voltage: Indoor - Outdoor, S2-S3	V DC	24	
	Voltage: Indoor - Remote Controller		Wireless Type	
	Recommended Fuse/Breaker Size	A	15	
	Recommended Wire Size (Indoor - Outdoor)	AWG	14	
Indoor Unit	MCA	A	1	
	MOCP	A	15	
	Blower Motor Full Load Amperage	A	0.67	
	Blower Motor Output	W	30	
	Airflow Rate at Cooling, Dry	CFM	646-522-417-332-258	
	Airflow Rate at Cooling, Wet	CFM	581-470-375-299-232	
	Sound Pressure Level (Cooling)	dB(A)	49-44-38-33-28	
	Drain Pipe Size	In. (mm)	5/8 (15.88)	
	Heat Exchanger Type		Plate fin coil	
	External Finish Color		Munsell 1.0Y 9.2/0.2	
	Unit Dimensions	W: In. (mm)		36-5/16 (923)
		D: In. (mm)		9-13/16 (250)
		H: In. (mm)		12 (305)
	Package Dimensions	W: In. (mm)		39 (990)
		D: In. (mm)		13 (330)
		H: In. (mm)		15 (380)
Unit Weight	Lbs. (kg)		28 (13)	
Package Weight	Lbs. (kg)		33 (15)	
Indoor Unit Operating Temperature Range	Cooling Intake Air Temp (Maximum / Minimum)*	°F	90 DB, 73 WB / 67 DB, 57 WB	
Outdoor Unit	MCA	A	14	
	MOCP	A	15	
	Fan Motor Full Load Amperage	A	0.93	

## SPECIFICATIONS: MSY-GL18NA & MUY-GL18NA

	Fan Motor Output	W	77	
	Airflow Rate	CFM	1,691	
	Refrigerant Control		LEV	
	Defrost Method		Reverse cycle	
	Heat Exchanger Type		Plate fin coil	
	Sound Pressure Level, Cooling <sup>1</sup>	dB(A)	54	
	Compressor Type		DC INVERTER-driven	
	Compressor Model		SNB130FQBMT	
	Compressor Rated Load Amps	A	10	
	Compressor Locked Rotor Amps	A	12.5	
	Compressor Oil Type // Charge	oz.	FV50S // 11.8	
	External Finish Color		Munsell 3Y 7.8/1/1	
	Base Pan Heater		N/A	
	Unit Dimensions	W: In. (mm)		33-1/16 (840)
		D: In. (mm)		13 (330)
		H: In. (mm)		34-5/8 (880)
	Package Dimensions	W: In. (mm)		38-9/16 (980)
		D: In. (mm)		16-9/16 (420)
		H: In. (mm)		39 (990)
Unit Weight	Lbs. (kg)		121 (55)	
Package Weight	Lbs. (kg)		141 (64)	
Outdoor Unit Operating Temperature Range	Cooling Air Temp (Maximum / Minimum)*	°F	115 / 14	
	Cooling Thermal Lock-out / Re-start Temperatures**	°F	-1 / 3	
Refrigerant	Type		R410A	
	Charge	Lbs, oz	3, 9	
Piping	Gas Pipe Size O.D. (Flared)	In. (mm)	1/2 (12.7)	
	Liquid Pipe Size O.D. (Flared)	In. (mm)	1/4 (6.35)	
	Maximum Piping Length	Ft. (m)	100 (30)	
	Maximum Height Difference	Ft. (m)	50 (15)	
	Maximum Number of Bends		10	

**Notes**

AHRI Rated Conditions (Rated data is determined at a fixed compressor speed)	<sup>1</sup> Cooling (Indoor // Outdoor)	°F	80 DB, 67 WB // 95 DB, 75 WB
---	--	----	------------------------------

\*Applications should be restricted to comfort cooling only; equipment cooling applications are not recommended for low ambient temperature conditions.  
 \*\*System cuts out in heating mode to avoid thermistor error and automatically restarts at these temperatures.

## ACCESSORIES: MSY-GL18NA

Anti-allergy Enzyme Filter	□ MAC-408FT-E
Backlit, Wall-mounted, Wireless Controller	□ MHK1
Portable Central Controller	□ MCCH1
Wired MA Controller <sup>1</sup>	□ PAR-33MAA
Simple MA Controller <sup>1</sup>	□ PAC-YT53CRAU
Touch MA Controller <sup>1</sup>	□ PAR-CT01MAU-SB
Wired Remote Sensor	□ M21-EAA-307
Wireless Temperature and Humidity Sensor	□ PAC-USWHS003-TH-1
Outside Air Sensor for MHK1	□ MOS1
System Control Interface <sup>2</sup>	□ MAC-333IF-E
Wireless Interface	□ PAC-USWHS002-WF-1
Thermostat Interface	□ PAC-US444CN-1
kumo station <sup>®</sup>	□ PAC-WHS01HC-E
USNAP Interface	□ PAC-WHS01UP-E
IT Extender	□ PAC-WHS01IE-E
BACnet <sup>®</sup> and MODBUS <sup>®</sup> Interface	□ PAC-UKPRC001-CN-1
Lockdown Bracket for Hand-held Remote Controllers	□ RCMKP1CB
Blue Diamond Sensor Extension Cable — 15 Ft.	□ C13-103
Blue Diamond Alarm Extension Cable — 6.5 Ft.	□ C13-192
Blue Diamond MultiTank — collection tank for use with multiple pumps	□ C21-014
Blue Diamond Rubber Foot Pads	□ F10-010
Mini Condensate Pump — 230 volt application	□ SI30-230
MegaBlue Advanced Blue Diamond Condensate Pump w/ Reservoir & Sensor	□ X87-835 - 110 to 250V
MaxiBlue Advanced Blue Diamond Mini Condensate Pump w/ Reservoir & Sensor (110V) up to 48,000 Btu/h [recommended]	□ X87-711 - 110V
Advanced Blue Diamond Mini Condensate Pump w/ Reservoir & Sensor (208/230V) [recommended]	□ X87-721 - 208/230V
MicroBlue Blue Diamond Mini Condensate Pump (110/208/230V) up to 18,000 Btu/h	□ X85-003
Fascia Kit for MicroBlue Pump – mounts the MicroBlue and sensor directly beneath the indoor unit	□ T18-016
Drain Pan Level Sensor	□ DPLS2
(30A/600V/UL) [fits 2" X 4" utility box] - Black	□ TAZ-MS303
(30A/600V/UL) [fits 2" X 4" utility box] - White	□ TAZ-MS303W

<sup>1</sup> Requires MAC-333IF-E

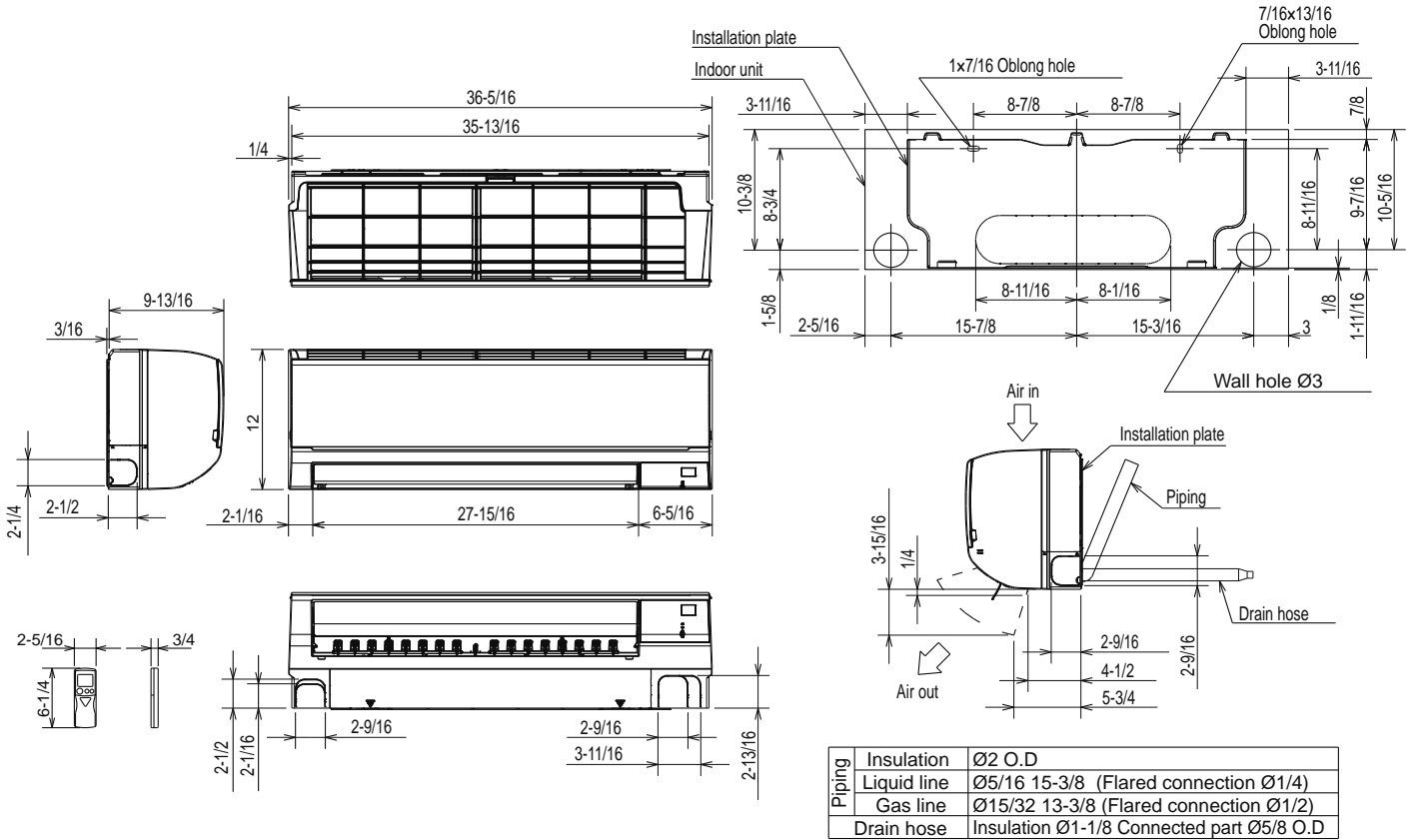
<sup>2</sup> Allows indoor units to connect to an MA Controller

## ACCESSORIES: MUY-GL18NA

Air Outlet Guide	□ MAC-886SG-E
Drain Socket	□ MAC-860DS
Hail Guard	□ HG-A7
Outdoor Unit 3-1/4 inch Mounting Base (Pair) - Plastic	□ DSD-400P
Condensing Unit Mounting Pad 16" x 36" x 3"	□ ULTRILITE1
Outdoor Unit Stand — 12" High	□ QSMS1201M
Outdoor Unit Stand — 18" High	□ QSMS1801M
Outdoor Unit Stand — 24" High	□ QSMS2401M
Heavy Duty Wall Mounting Bracket— Coated Steel	□ QSWB2000M-1
Heavy Duty Wall Mounting Bracket — 316 Series Stainless Steel	□ QSWBSS
15' x 1/4" x 15' / 1/2" Lineset (Twin-Tube Insulation)	□ MLS141212T-15
30' x 1/4" x 30' / 1/2" Lineset (Twin-Tube Insulation)	□ MLS141212T-30
50' x 1/4" x 50' / 1/2" Lineset (Twin-Tube Insulation)	□ MLS141212T-50
65' x 1/4" x 65' / 1/2" Lineset (Twin-Tube Insulation)	□ MLS141212T-65
100' x 1/4" x 100' / 1/2" Lineset (Twin-Tube Insulation)	□ MLS141212T-100

# DIMENSIONS: MSY-GL18NA

**Unit: inch**

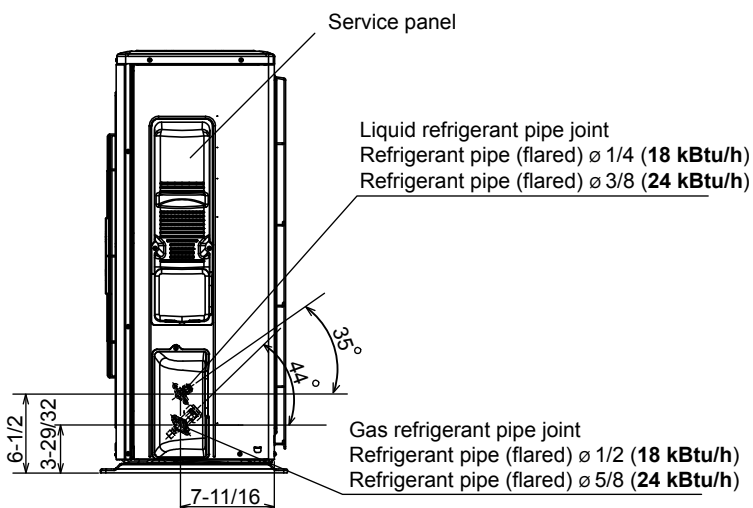
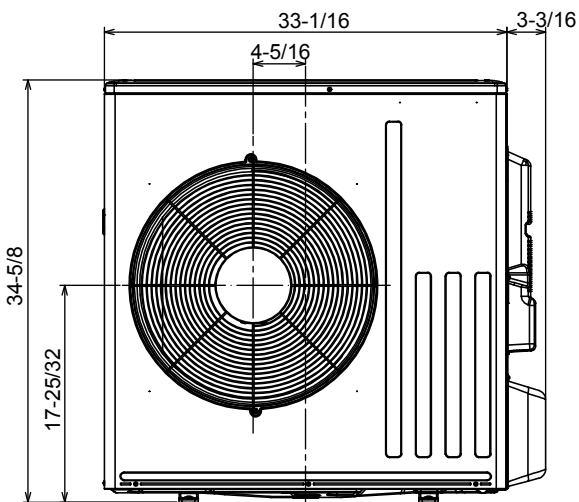
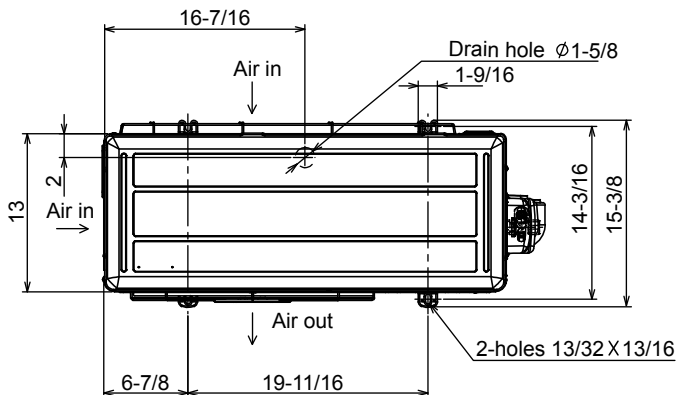
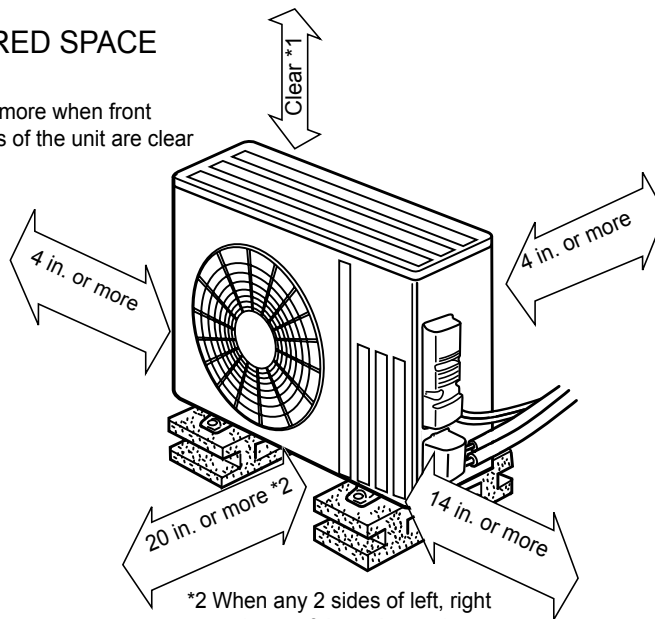


# DIMENSIONS: MUY-GL18NA

Unit: inch

## REQUIRED SPACE

\*1 20 in. or more when front and sides of the unit are clear



**MITSUBISHI ELECTRIC**

COOLING & HEATING

1340 Satellite Boulevard, Suwanee, GA 30024  
Toll Free: 800-433-4822 www.mehvac.com

FORM# MSY-GL18NA / MUY-GL18NA - 201902



Specifications are subject to change without notice.

© 2019 Mitsubishi Electric Trane HVAC US LLC. All rights reserved.