

CODE NUMBER

3324007

DESCRIPTION

Trim Plate: None, Plug Adapter Power Supply, Back-Check Tee, Polished Chrome Finish, 0.5 gpm, Multi-Laminar Spray, Capacitance Sensor, BASYS® Hardwired-Powered Deck-Mounted Low Body.

DETAILS

- Flow Rate: 0.5 gpm (1.9 Lpm) (0.5GPM)
- Spray Type: Multi-Laminar (MLM)
- Sensor Type: Capacitance (CAP)
- Mounting Type: Single Hole
- Trim Plate: None
- Power Supply: Plug Adapter (PLG)
- Temperature Mixer: Back-Check Tee (TEE)
- Finish: Polished Chrome (CP)
- Factory Default Timeout: 10 seconds
- Factory Default Gallons per Cycle: 0.083

FEATURES

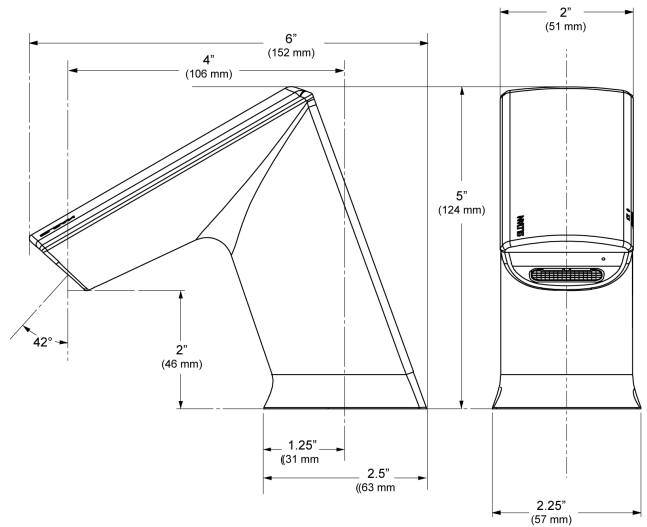
Commercial Grade, ADA Compliant, Electronic, Sensor-Activated, Die-Cast Metal Hand Washing Faucet with the following features:

- Capacitance sensing technology
 - One tool service
 - Solenoid housed in removable carrier that includes supply strainer
 - Integral water supply shut off
 - Vandal resistant spray insert, key housed inside faucet body
 - All electronics sealed to IP-67
 - Gold plated electrical contacts
 - Above deck individual diagnostic indicators for battery life, solenoid condition, and power-up mode
 - Flexible, high pressure supply hose, 3/8" compression connections
 - Bi-stable magnetic solenoid
 - Four (4) "AA" alkaline batteries
-
- Includes all mounting hardware
 - Standard Bowed Crown
 - Buy America Act (BAA) Compliant
 - Capacitance sensing technology

Capacitance faucets are not compatible with metal sinks. Care must be taken during installation to ensure the faucet cable and control module do not contact any metal components, including, but not limited to, supply stops, supply hoses, drains, carrier arms, etc. Failure to adhere to these guidelines may result in improper operation.

ELECTRICAL SPECIFICATIONS

- Battery Life: 3 years 8,000 cycles/month
 - Optional power harvesting significantly extends service life



COMPLIANCES & CERTIFICATIONS



(ADA Compliant, ASME A112.18.1 Compliant, BAA Compliant, CalGreen Compliant, CEC Compliant, cUPC Certified, UPC Certified, UPC Low Lead Compliant, cUPC Low Lead Compliant, EPD, HPD, NYC604.4, Proposition 65, Satisfies LEED Credits, TAS, WELL Building Standard)

RECOMMENDED SPECIFICATION

Sloan BASYS Model No. EFX-300-PLG-CP-0.5GPM-MLM-CAP-BAA-FCT Capacitance Sensor Activated Electronic Handwashing Faucet for pre-tempered or hot/cold water supplies. Solenoid valve housed in removable carrier that closes water supply upon removal, eliminating need to access

VIDEOS

- [▶ BASYS® Faucet Installation and Features](#)
- [▶ BASYS® Faucet Installation Low Height Model](#)
- [▶ Sloan Connect App®](#)

DOWNLOADS

- [• EFX 3Xx/6Xx Active IR Installation Instructions](#)
- [• EFX 3Xx/6Xx Active IR \(SP\) Installation Instructions](#)
- [• EFX 3Xx/6Xx \(SP\) Installation Instructions](#)
- [• EFX 3Xx/6Xx Capacitance Installation Instructions](#)
- [• Trim Plate Guide](#)
- [• IR FAQs Repair and Maintenance Guide](#)
- [• IR FAQs SP Repair and Maintenance Guide](#)
- [• BASYS EFX-300 Series IR Repair and Maintenance Guide](#)
- [• EFX-3XX \(Capacitance\) Repair and Maintenance Guide](#)
- [• Faucet Spray Heads Repair and Maintenance Guide](#)
- [• Additional Downloads](#)

ROUGH-IN

control stops. Solenoid carrier includes mesh filter for easy access and service without disconnecting the supply lines. Thermostatic mixer ordered separately to comply with ASSE 1070 requirements. The product shall be tested and certified to industry standards: ASME A112.18.1M, CSAB125.1, California Health and Safety Code 116875 (AB1953-2006), and Vermont Bill S.152. This product meets ADA ANSI/ICC A117.1 requirements.

NOTES

All information contained within this document subject to change without notice.

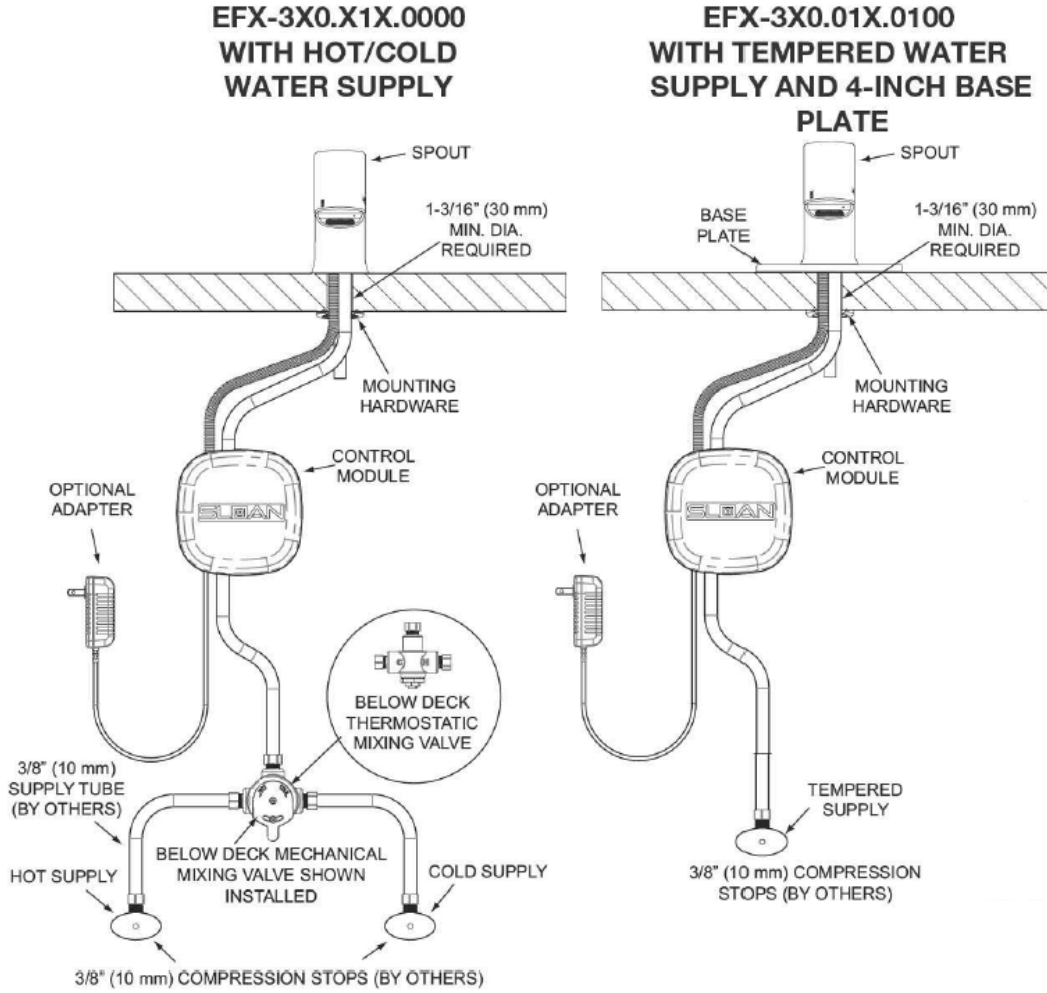
Looking for other variations of the EFX-300 product? [View the general spec sheet with all options.](#)

[Find a matching soap dispenser](#) for this faucet.

[Find a compatible sink](#) for this faucet.

WARRANTY

[View Warranty Information](#)



Sloan 10500 Seymour Ave, Franklin Park, IL 60131
 Phone: 800.982.5839 • Fax: 800.447.8329 • sloan.com