

UNDERCOUNTER SINK K-3333

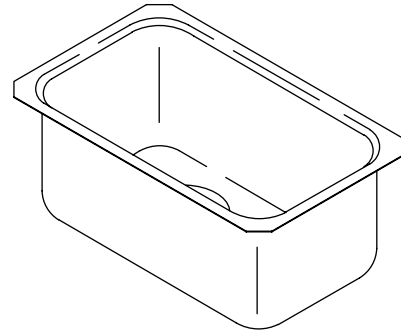
Features

- 18-gauge stainless steel
- Undercounter
- Single compartment
- Squared bowl(s)
- Includes installation hardware
- 9" (22.9 cm) x 15-3/4" (40 cm)

Codes/Standards Applicable

Specified model meets or exceeds the following:

- ASME A112.19.3/CSA B45.4



Colors/Finishes

- NA: None applicable

Accessories

- CP: Polished Chrome
- NA: None applicable
- Other: Refer to Price Book for additional colors/finishes

Specified Model

Model	Description	Colors/Finishes		
K-3333	Undercounter sink	<input type="checkbox"/> NA		
Optional Accessories				
K-8801	Duostrainer® sink strainer	<input type="checkbox"/>	<input type="checkbox"/> CP	<input type="checkbox"/> Other_____
K-2989	Countertop cutting board	<input type="checkbox"/> NA		

Product Specification

The undercounter sink shall be 9" (22.9 cm) in length and 15-3/4" (40 cm) in width. Sink shall be made of 18 gauge stainless steel. Sink shall be single compartment with squared bowl. Sink shall include installation hardware. Sink shall be Kohler Model K-3333-NA.

UNDERTONE®

Technical Information

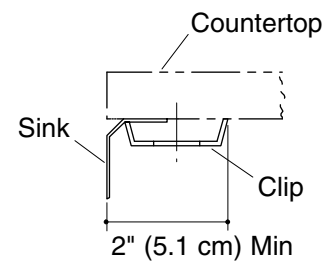
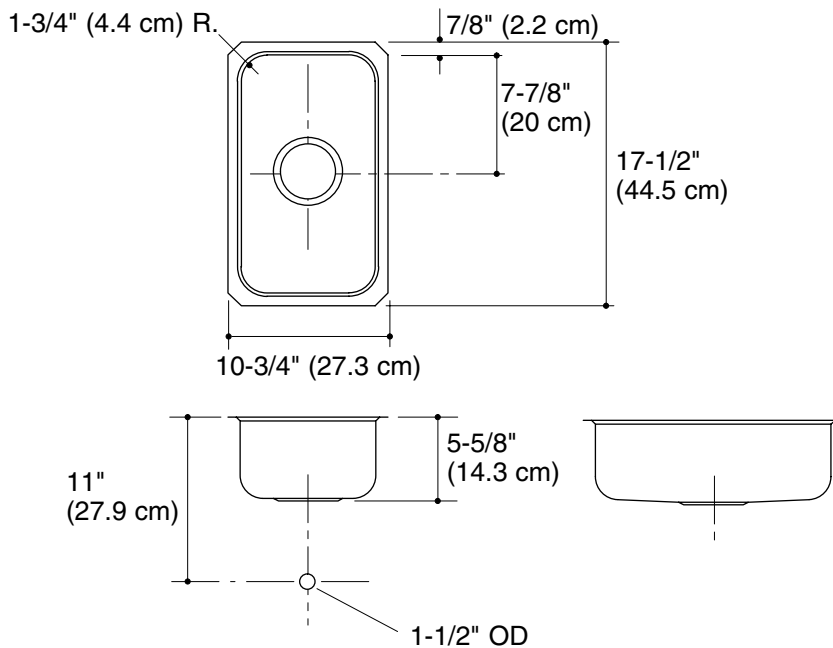
Fixture*:	
Basin area	9" (22.9 cm) x 15-3/4" (40 cm)
Water depth	5-1/2" (14 cm)
Drain hole	3-5/8" (9.2 cm) D.
*Approximate measurements for comparison only.	

Included components:	
Hardware kit	91915
Cut-out template	113194-7

Installation Notes

Install this product according to the installation guide.

Allow a minimum of 2" (5.1 cm) clearance around the sink rim for clip attachment.



Product Diagram