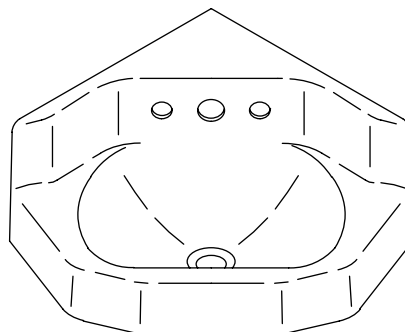


Features

- KOHLER cast iron
- Wall-mount
- With overflow
- Shelf-back
- Corner lavatory
- Factory-installed K-8040-2A Triton® faucet with pop-up drain and stopper drain, aerator
- Less K-8040-2A Triton faucet (-EH)
- 16" (40.6 cm) x 16" (40.6 cm)

WALL-MOUNT CORNER LAVATORY K-2766



Codes/Standards Applicable

Specified model meets or exceeds the following:

- ASME A112.19.1M
- IAPMO/UPC
- CSA B45

Colors/Finishes

- 0: White
- Other: Refer to Price Book for additional colors/finishes

Specified Model

Model	Description	Colors/Finishes	
K-2766	Wall-mount corner lavatory with faucet	<input type="checkbox"/> 0	<input type="checkbox"/> Other_____
K-2766-EH	Wall-mount corner lavatory less faucet	<input type="checkbox"/> 0	<input type="checkbox"/> Other_____

Product Specification

The shelf-back, wall-mount, corner lavatory shall be 16" (40.6 cm) in length and 16" (40.6 cm) in width. Lavatory shall be made of cast iron. Lavatory shall have factory-installed K-8040-2A Triton lavatory faucet with pop-up and stopper drain, aerator, or be less faucet (-EH). Lavatory shall have overflow. Lavatory shall be Kohler Model K-2766-_____-_____.

MARSTON™

Technical Information

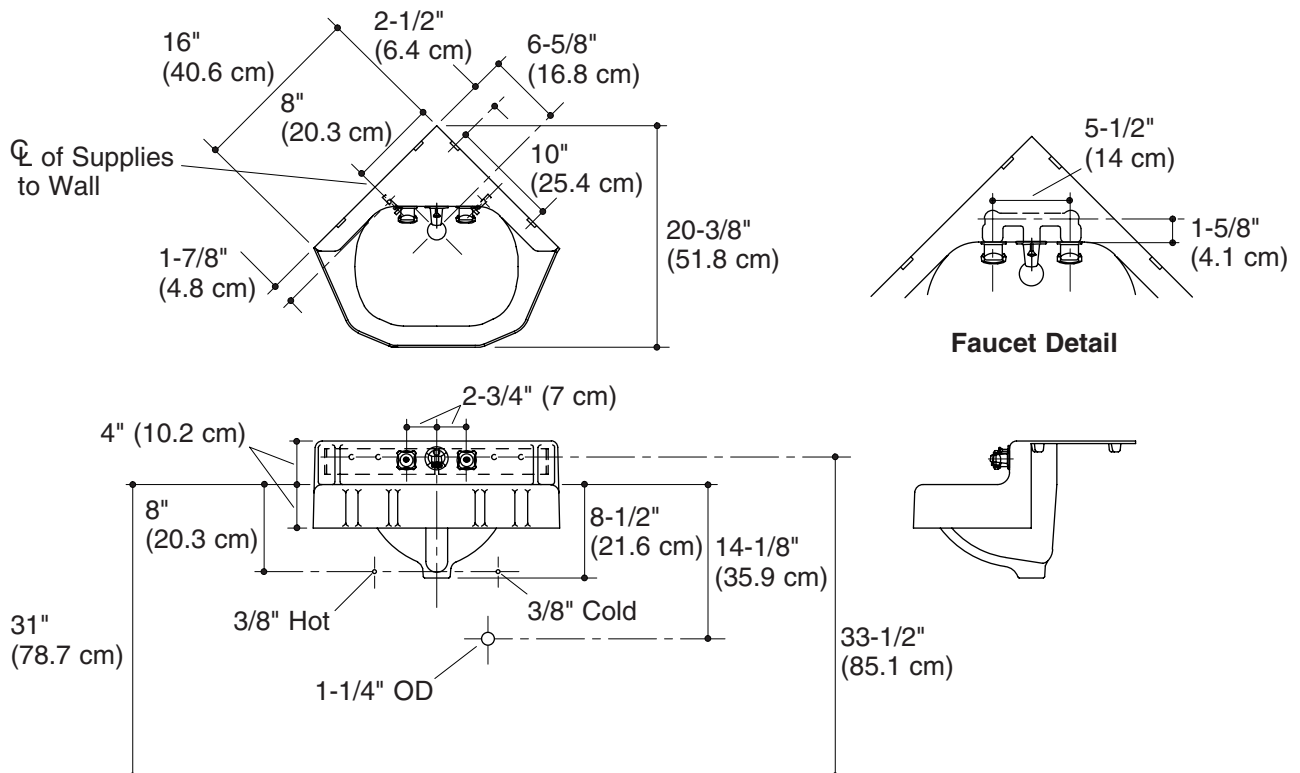
Fixture*:	
Basin area	15" (38.1 cm) x 11" (28 cm)
Water depth	5" (12.7 cm)
Drain hole	1-11/16" (4.3 cm) D.
* Approximate measurements for comparison only.	

Hole	
Spout	1-1/2" (3.8 cm) D.
Faucet	1-3/16" (3 cm) D.

Included components:	
Triton® faucet	K-8040-2A
Hanger	64503
Overflow ferrule (1)	84896

Installation Notes

Install this product according to the installation guide.



Product Diagram