



Verticyl® Rectangle

Undermount bathroom sink
K-8189

Features

- Geometric rectangular basin with vertical sides.
- Overflow drain.
- No faucet holes; requires wall- or counter-mount faucet.

Material

- Vitreous china.

Installation

- Undermount.

Recommended Products/Accessories

- K-8998 P-Trap
- K-23726 Drain treatment
- K-23725 Cast iron cleaner

Included Components

- Additional Components:
1193643



ADA CSA B651 OBC

Codes/Standards







ASME A112.19.2/CSA B45.1
ADA
ICC/ANSI A117.1
CSA B651
OBC

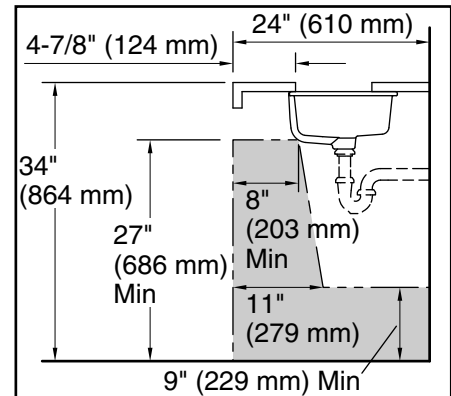
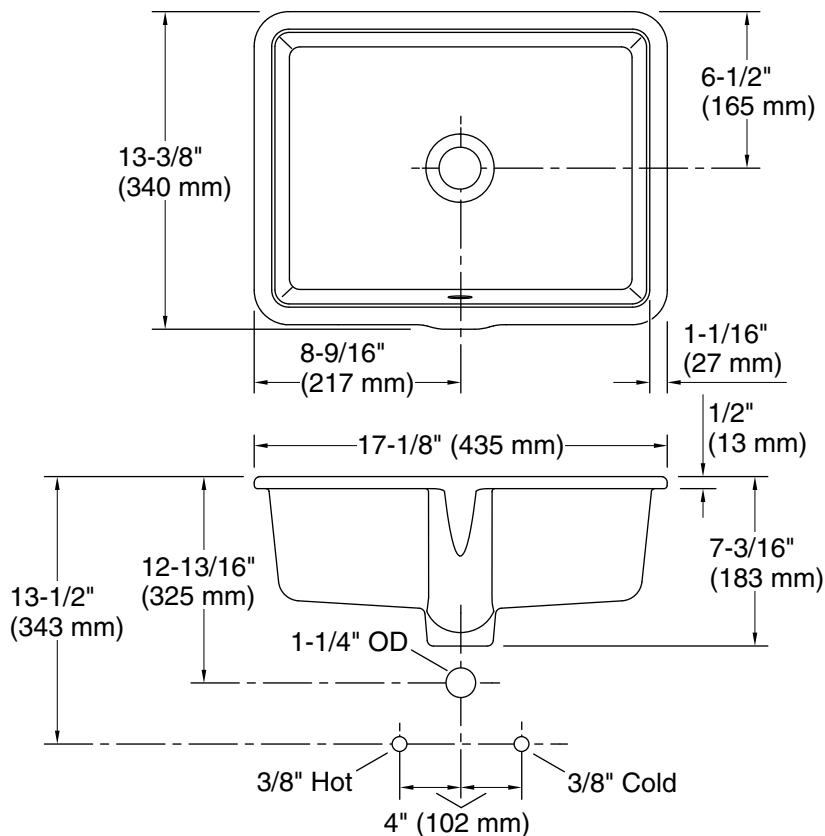
KOHLER® One-Year Limited Warranty

See website for detailed warranty information.

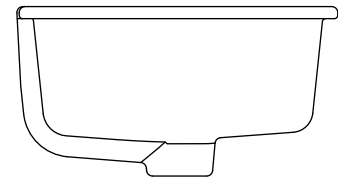
Available Colors/Finishes

Color tiles intended for reference only.

| Color | Code | Description |
|---|------|---------------|
|  | 0 | White |
|  | 96 | Biscuit |
|  | NY | Dune |
|  | 95 | Ice™ Grey |
|  | 58 | Thunder™ Grey |
|  | 7 | Black Black™ |



Recommended ADA Installation



Technical Information

All product dimensions are nominal.

| | |
|---------------------|--|
| Bowl configuration: | Single |
| Installation: | Undermount |
| Bowl area (Only): | Length: 15-1/4" (387 mm) Width: 11-1/2" (292 mm) Bowl depth: 5-1/8" (130 mm) With overflow: Yes Water depth: 3-7/16" (88 mm) |
| With overflow: | Yes |
| Drain hole: | 1-3/4" (44 mm) |
| Template: | Undermount, 1372556-7, required, not included |

Notes

Install this product according to the installation instructions.

NOTICE: Countertop manufacturer or cutter must use the current product template available at www.kohler.com, or by calling 1-800-4KOHLER. Kohler Co. is not responsible for cutout errors when the incorrect cutout template is used.

ADA, OBC, CSA B651 compliant when installed to the specific requirements of these regulations.