



# Peerless® *PUREFIRE*®

## PF-210 Features and Standard Equipment

### **Performance:**

- 95.1% Annual Fuel Utilization Efficiency (AFUE) AHRI Certified
- ENERGY STAR® Qualified
- Design Certified by SCAQMD for Low NOx Operation
- Modulating Burner with 5:1 Turndown Capability
- Factory Equipped for Outdoor Reset Operation
- Dual Temperature Settings for Central Heating and Domestic Hot Water
- Dual Flame Sensing for Reliable Ignition
- Suitable for Firing Natural or LP Gas

### **Construction:**

- Designed, Constructed and Stamped in accordance with ASME Boiler & Pressure Vessel Code, Section IV
- Design certified for Zero Clearance to Combustible Construction
- Maximum Allowable Working Pressure: 160 PSI
- 304L Stainless Steel Heat Exchanger
- Sealed, Negative Pressure Cabinet
- Removable Jacket Panels
- Suitable for Floor or Wall Mounting\*
- Leveling Legs
- Factory Equipped with Boiler Service Switch
- 120 Volt Convenience Outlet

### **Exhaust/Air Intake Piping:**

- Suitable for Sealed Combustion Operation
- CPVC Vent Adapter for PVC or CPVC Pipe
- Factory Supplied Vent & Air Inlet Terminations with Screens
- Vent Temperature Sensor

### **Safety Features:**

- 30 PSIG ASME Safety Relief Valve (Loose)
- Pressure/Temperature Gauge (Loose)
- Integrated Connections for Low Water Cut Off or Flow Switch
- Manual Reset High Temperature Limit

### **Codes:**

- Design Certified to ANSI Z21.13
- CSD-1 Compliant
- California Code Compliant
- Massachusetts Code Compliant

### **Control Features:**

- Plain English Status Display
- Factory Equipped for Multiple Boiler Cascade Operation
- Flame Signal Logging Capability
- Freeze Protection
- DHW Tank Warm Hold
- Ramp Delay Step Modulation
- Outdoor Sensor Included
- System Type Presets
- Temperature Boost Function
- Warm Weather Shut Down
- Anti Cycling Logic
- Limited DHW Priority
- DHW Heat Economy Circulation
- Service Notification
- System Test for Manual Control of Firing Rate
- Fault History

### **Combustion System:**

- State of the Art Metal Mesh Burner
- Dual Flame Sensing
- High Energy Spark Ignition

### **Condensate System:**

- Built-in Condensate Trap with Neutralization
- Blocked Condensate Switch
- Highly Visible, Easy Access Condensate Collector

### **Warranty:**

- One Year Parts and Labor Warranty
- 10 Year Limited Warranty

# PEERLESS® PUREFIRE® HIGH EFFICIENCY STAINLESS STEEL BOILER

## SERIES PEERLESS® PUREFIRE® BOILER RATINGS



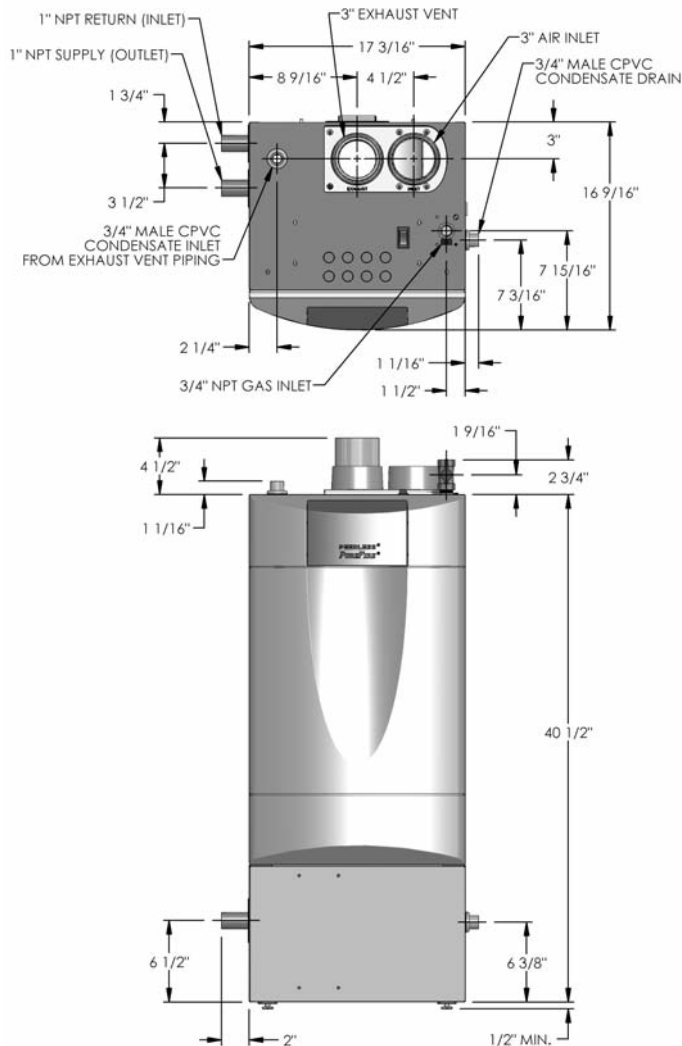
| Boiler | Input (MBH) |     | Heating Capacity (MBH) | Net Ratings (MBH) | AFUE (%) |
|--------|-------------|-----|------------------------|-------------------|----------|
|        | Min         | Max |                        |                   |          |
| PF-210 | 42          | 210 | 195                    | 170               | 95.1     |

## SERIES PEERLESS® PUREFIRE® CAPACITIES

| Gas Pressure Min/Max (Inch WC) |      | Total Water Capacity (Gallons) | Minimum Water Flow Rate (40°F ΔT) |                      | Total Combined Length of Air Intake & Vent (Feet) | Shipping Weight (Lbs) |
|--------------------------------|------|--------------------------------|-----------------------------------|----------------------|---|-----------------------|
|                                |      |                                | Flow Rate (GPM)                   | Pressure Drop (Feet) |   |                       |
| 3.5                            | 13.5 | 1.19                           | 9.6                               | 6.23                 | 200   | 165                   |

## SERIES PEERLESS® PUREFIRE® ELECTRICAL RATINGS

| Supply Voltage (-15%, +10%) | Frequency (±1.2 hz) | Blower        |                | Gas Valve     |                | Pumps         |                     | Max Total Service Current to Boiler |
|-----------------------------|---------------------|---------------|----------------|---------------|----------------|---------------|---------------------|-------------------------------------|
|                             |                     | Voltage (VAC) | Current (Amps) | Voltage (VAC) | Current (Amps) | Voltage (VAC) | Max. Current (Amps) |                                     |
| 120 VAC                     | 60 hz               | 120           | 2.58           | 120           | 0.09           | 120           | 3.06                | 5.73                                |



### Optional Equipment:

- PFA-1 Interface Adapter
  - Alarm Contacts
  - Analog Input
  - Modbus Communications
- 3" Concentric PVC Vent Termination
- Steel Stand Convertible for Wall Mounting
- Domestic Water Tank Temperature Sensor
- System Sensor for Multiple Boiler Operation
- Boiler Circulator
- 50 PSI Safety Relief Valve
- 100 PSI Safety Relief Valve
- 150 PSI Safety Relief Valve
- PC Software
  - Status
  - Fault History
- Probe-Type Low Water Cutoff
- Expansion Tank
- High Performance Air Vent



CONTROLS



PF8120 R3 (12/14)  
Printed in U.S.A.