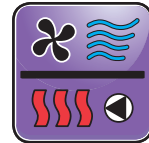


tekmar® Submittal

Mixing Control 356



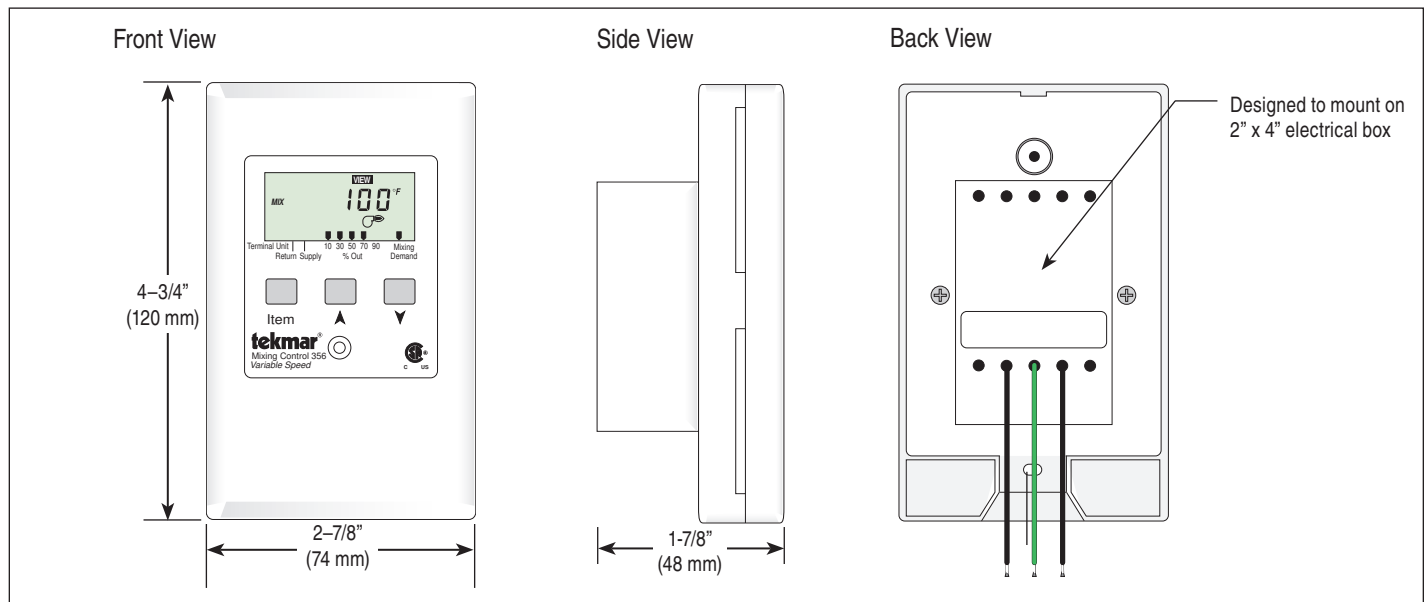
C356

01/11

HVAC Systems Replaces: New

Job _____ Designer _____ Contact _____

The Mixing Control 356 is designed to operate a mixing pump to control the temperature in a hot water heating system using outdoor reset. It can be used in applications ranging from in-floor radiant to commercial baseboard systems for boiler protection with full reset. This control regulates a single heating water temperature through outdoor reset. It provides mixing by speeding up or slowing down a single permanent capacitor (standard wet rotor) circulator.



Specifications

Mixing Control 356 Variable Speed	
Literature	D356, A356, D001, D070
Control	Microprocessor control. This is not a safety (limit) control
Packaged weight	1.5 lb. (670 g)
Dimensions	4-3/4" H x 2-7/8" W x 7/8" D (120 x 74 x 22 mm)
Enclosure	White PVC plastic, NEMA type 1
Approvals	CSA C US, meets class B: ICES & FCC Part 15
Ambient conditions	Indoor use only, 32 to 104°F (0 to 40°C), RH ≤90% Non-condensing
Power supply	24 V (ac) ±10%, 50/60 Hz, 3 VA
Var. pump	120 V (ac) 2.4 A (FLA), 5 A (LRA), 1/6 hp
Relays	120 V (ac) 5 A, 1/6 hp
Mixing demand	24 V (ac) 2 VA
Sensors	NTC thermistor, 10 kΩ @ 77°F (25°C ±0.2°C) β=3892
-Included	Outdoor Sensor 070 and 2 of Universal Sensor 071
Warranty	Limited 3 Year (See D356 for full warranty)

Energy Saving Features

- Outdoor Temperature Reset
- Warm Weather Shut Down
- Boiler control
- Automatic Boiler Differential
- Variable speed pump control

Additional Features

- Quick setup for easy installation and programming of control
- User comfort adjustment to increase or decrease building space temperature
- Advanced settings to fine-tune building requirements
- Test sequence to ensure proper component operation
- CSA C US certified (approved to applicable UL standards)

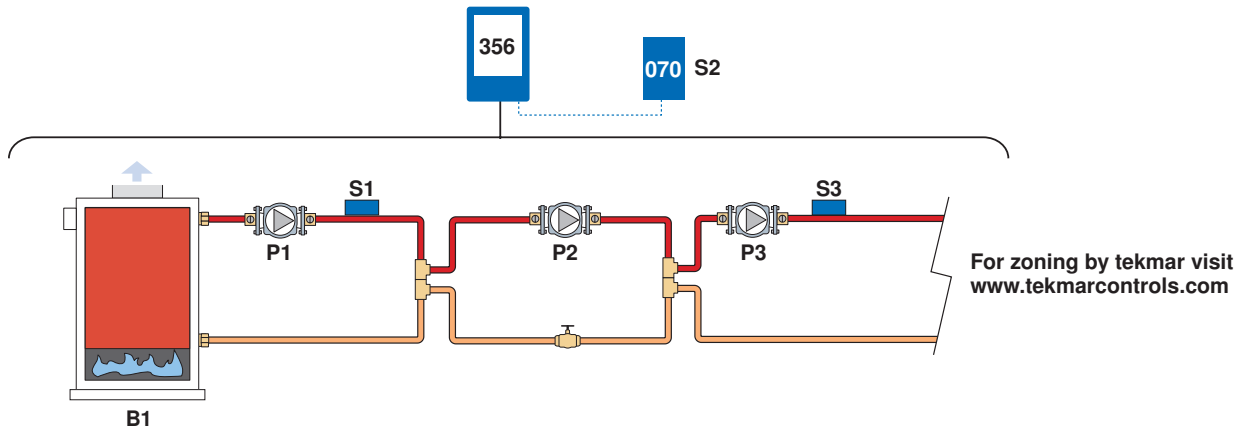
SPECIAL REQUIREMENTS

This control is designed to mount on a 2" x 4" electrical box. This control is designed to operate permanent capacitor, impedance protected (standard wet rotor type) or equivalent pump.

Sample Application Drawing

Below is a sample application drawing for this product. This application may include other tekmar products that are required for installation. More sample applications can be found at www.tekmarcontrols.com.

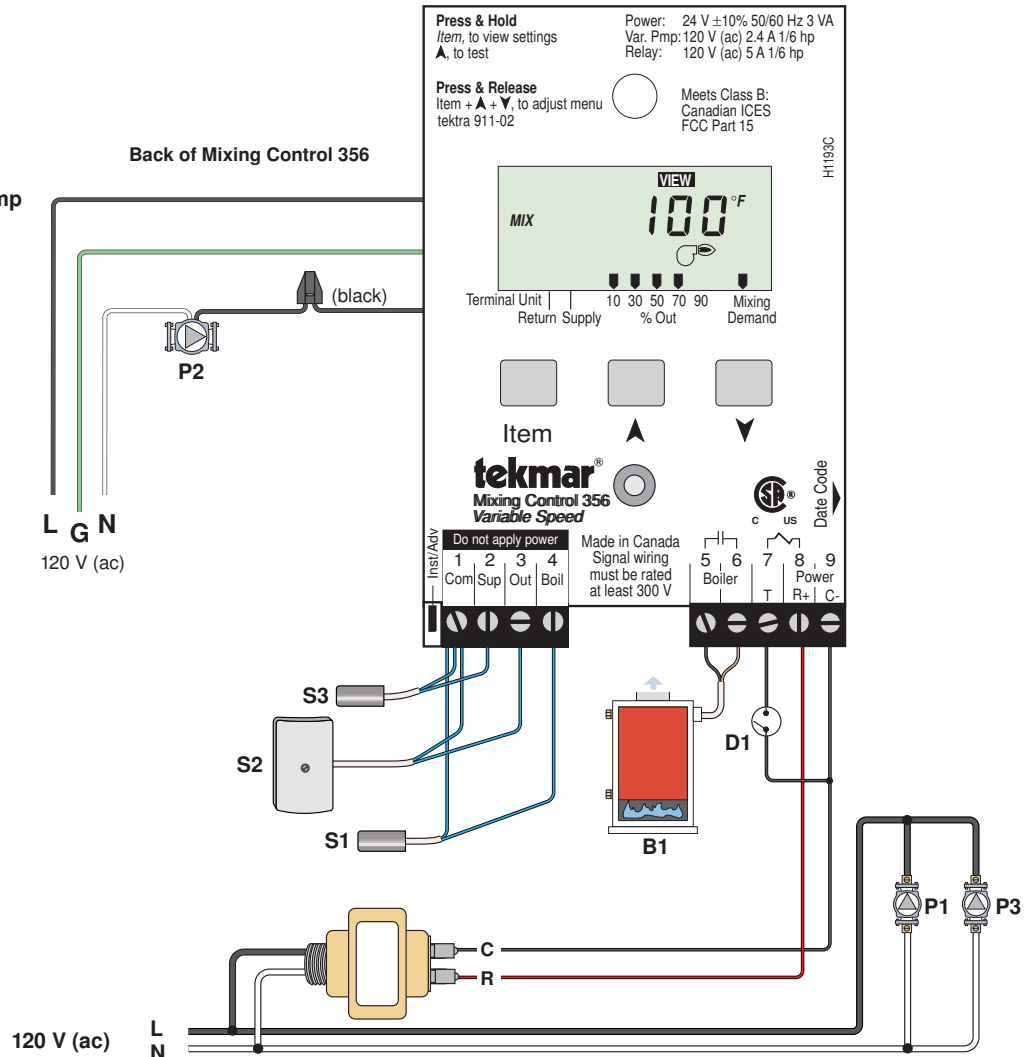
Sample Mechanical diagram



Sample Electrical diagram

Legend:

- B1 = Boiler 1**
- S1 = Boiler Supply Sensor**
- S2 = Outdoor Sensor**
- S3 = Mix Supply Sensor**
- P1 = Boiler Pump**
- P2 = Variable Speed Injection pump**
- P3 = Mix System Pump**
- D1 = Mixing demand**
(From thermostat or end switch)



tekmar Control Systems Ltd., Canada, tekmar Control Systems, Inc., U.S.A. **Head Office: 5100 Silver Star Road, Vernon, B.C. Canada V1B 3K4, 250-545-7749, Fax. 250-545-0650 Web Site: www.tekmarcontrols.com**

