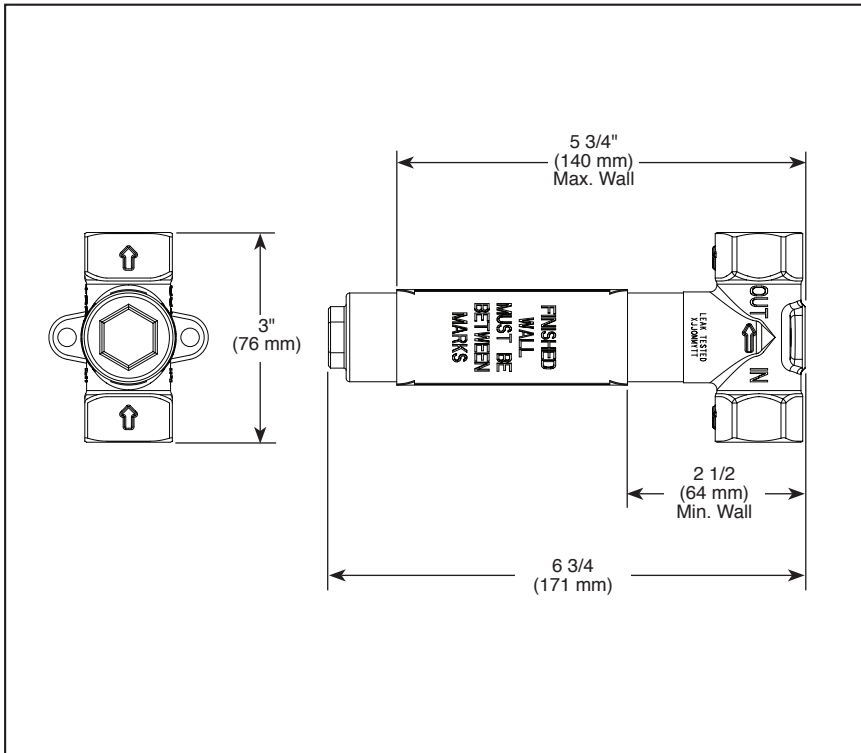


R35600

Submitted Model No.: _____

Specific Features: _____



BRIZO®

SENSORI® CUSTOM SHOWER ROUGH

- Volume Control Rough
- 3/4" Rough-In

STANDARD SPECIFICATIONS

- Forged brass body
- Includes ceramic cartridge assembly
- 90° rotation
- Integrated brass stem
- Solid brass extension sleeve
- Provides precise handle alignment
- Integrated friction bearing provides smooth handle operation
- All parts are replaceable from the front
- Recommended working pressure of 45-80 psi
- Volume control flows up to 16.2 gpm @ 60 psi
- Maximum 8.2 gpm @ 60 psi per volume control when paired with Sensori Thermostatic trim
- Volume controls are required for every outlet and every set of body sprays (up to max flow)
- Volume control only. Must be used with separate temperature control device.
- Rough can accommodate up to 3 1/4" wall thickness. NOTE: some applications may require stem extender RP100304.

WARRANTY

- Lifetime limited warranty on parts (other than electronic parts and batteries) and finishes: or, for commercial users, for 5 years from date of purchase.
- 5 year limited warranty on electronic parts (other than batteries); or, for commercial users, for 1 year from the date of purchase. No warranty is provided on batteries.

COMPLIES WITH:

- ASME A112.18.1 / CSA B125.1