

### Features

- Single handle controls both on/off activation and temperature settings.
- 8-3/4" (222 mm) stationary spout reach.
- 1.2 gpm (4.5 lpm) maximum flow rate at 60 psi (4.14 bar).
- KOHLER® ceramic disc valves exceed industry longevity standards, ensuring durable performance for life.
- Coordinates with other products in the Parallel collection.

### Material

- Premium metal construction for durability and reliability.
- KOHLER finishes resist corrosion and tarnishing.

### Installation

- Wall-mount.

### Optional Products/Accessories

K-7107 Decorative Drain  
 K-7108 Decorative Drain  
 K-7114 Pop-Up Drain  
 K-7114-A Pop-Up Drain  
 K-7124 Pop-Up Clicker Drain  
 K-7124-A Pop-Up Clicker Drain  
 K-7127 Drain  
 K-7127-A Drain  
 K-7129 Drain  
 K-7129-A Drain

### Included Components

Additional Components:  
 Wall Mount Single Control Valve



**ADA** **CSA B651** **OBC**

### Codes/Standards




ASME A112.18.1/CSA B125.1  
 NSF/ANSI 61  
 NSF/ANSI 372  
 All applicable US Federal and State material regulations  
 DOE - Energy Policy Act 1992  
 EPA WaterSense®  
 California Energy Commission (CEC)  
 ADA  
 ICC/ANSI A117.1  
 CSA B651  
 OBC

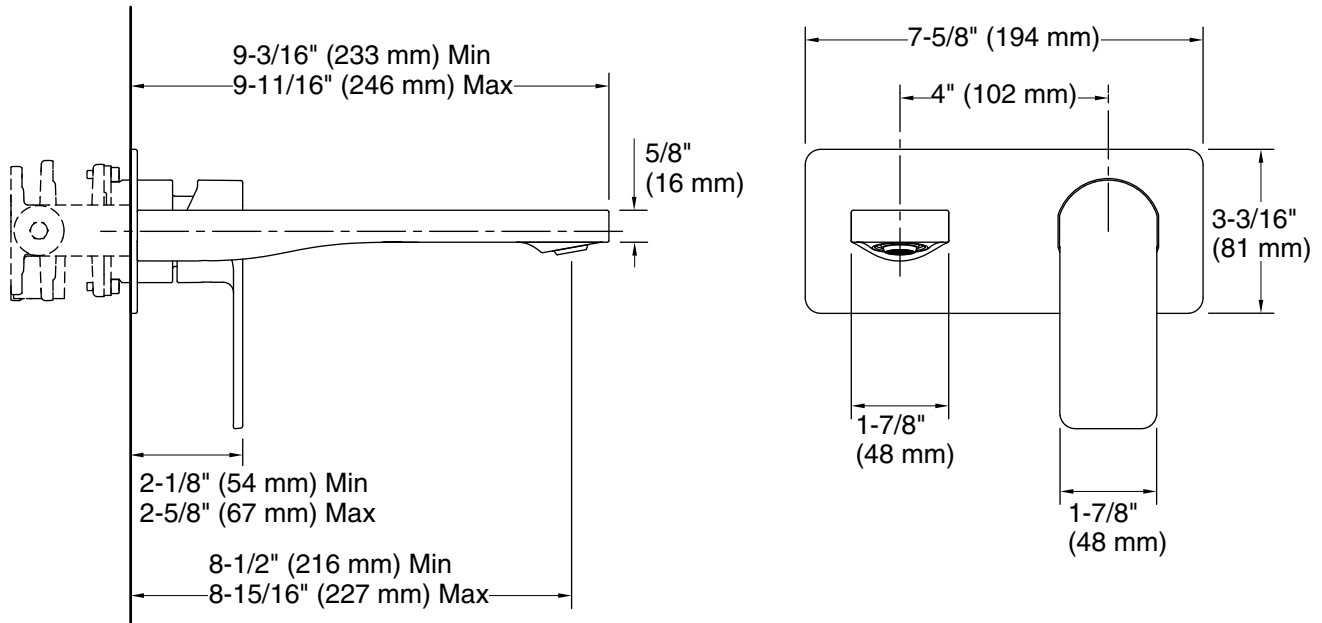
### KOHLER® Faucet Lifetime Limited Warranty

See website for detailed warranty information.

### Available Colors/Finishes

*Color tiles intended for reference only.*

Color	Code	Description
	CP	Polished Chrome
	BN	Vibrant® Brushed Nickel
	BL	Matte Black



**Technical Information**

All product dimensions are nominal.

**Faucet:**

- Flow rate: 1.2 gal/min (4.5 l/min)
- Pressure: 60 psi (4.1 bar)
- Valve body: Cast brass
- Drain included: No

**Spout:**

- Spout reach: 8-1/4" (210 mm)

**Notes**

- Install this product according to the installation instructions.
- ADA, OBC, CSA B651 compliant when installed to the specific requirements of these regulations.