



UNITED BRASS WORKS, INC.

714 S. Main St. Randleman, N.C. 27317

Tel: 800-334-3035 Fax: 800-498-4696 www.ubw.com



Model 77 Needle Valve

CRN OCO7135.2C

200WSP @ 406° Max

400 WOG

100% Pressure Tested

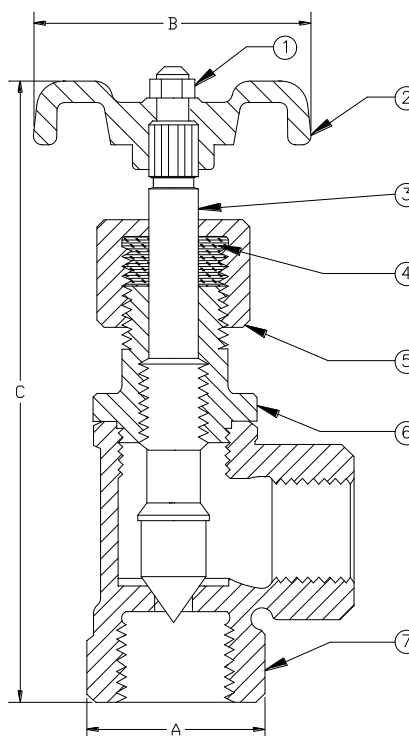
Threaded Ends

Rising Stem

Contains Lead. Not Intended for Use in Potable Water Systems

MATERIAL LIST

NO.	DESCRIPTION	MATERIAL
1	Jam Nut	Steel
2	Hand Wheel	Aluminum
3	Stem	Brass
4	Packing	NAFG
5	Packing Nut	Brass
6	Bonnet	Brass
7	Body	Bronze



Size	1/8"	1/4"	3/8"	1/2"	3/4"
	0.63	1.19	.088	1.06	1.25
B	1.75	1.75	2.13	2.13	2.13
C Closed	2.25	2.25	2.63	2.88	3.75
C Open	2.38	2.75	2.75	3.13	4.00
Ship Wgt. (lbs.)	0.20	0.25	0.38	0.72	1.12
Qty. Per Ctn.	12	12	12	12	6